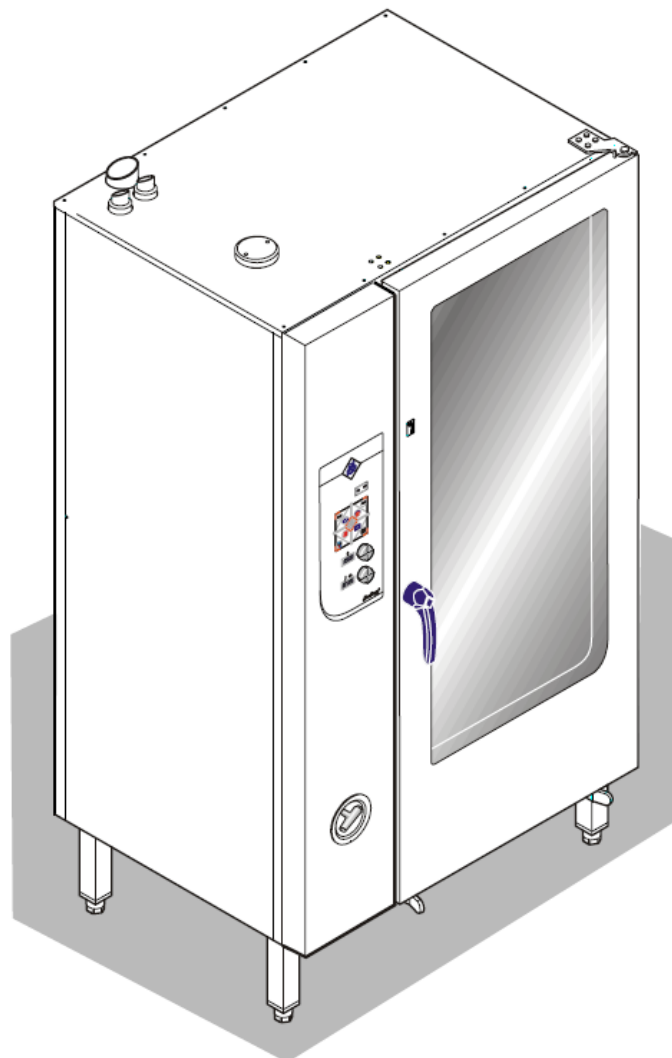


# Exploded drawings

## Electric and Gas Combiteamer Silver II

European CE-Version



Model	Serial-No. / date	
	From	Up to
Csxxxxx		
HansDampf 6.1	07020766 / June 2007	
HansDampf 6.2 Maxi	07020584 / June 2007	
HansDampf 10.1	07020584 / June 2007	
HansDampf 10.2 Maxi	07020584 / June 2007	
HansDampf 20.1	07020584 / June 2007	
HansDampf 20.2 Maxi	07020584 / June 2007	

2008/02/07 SEV/KA



## Contents

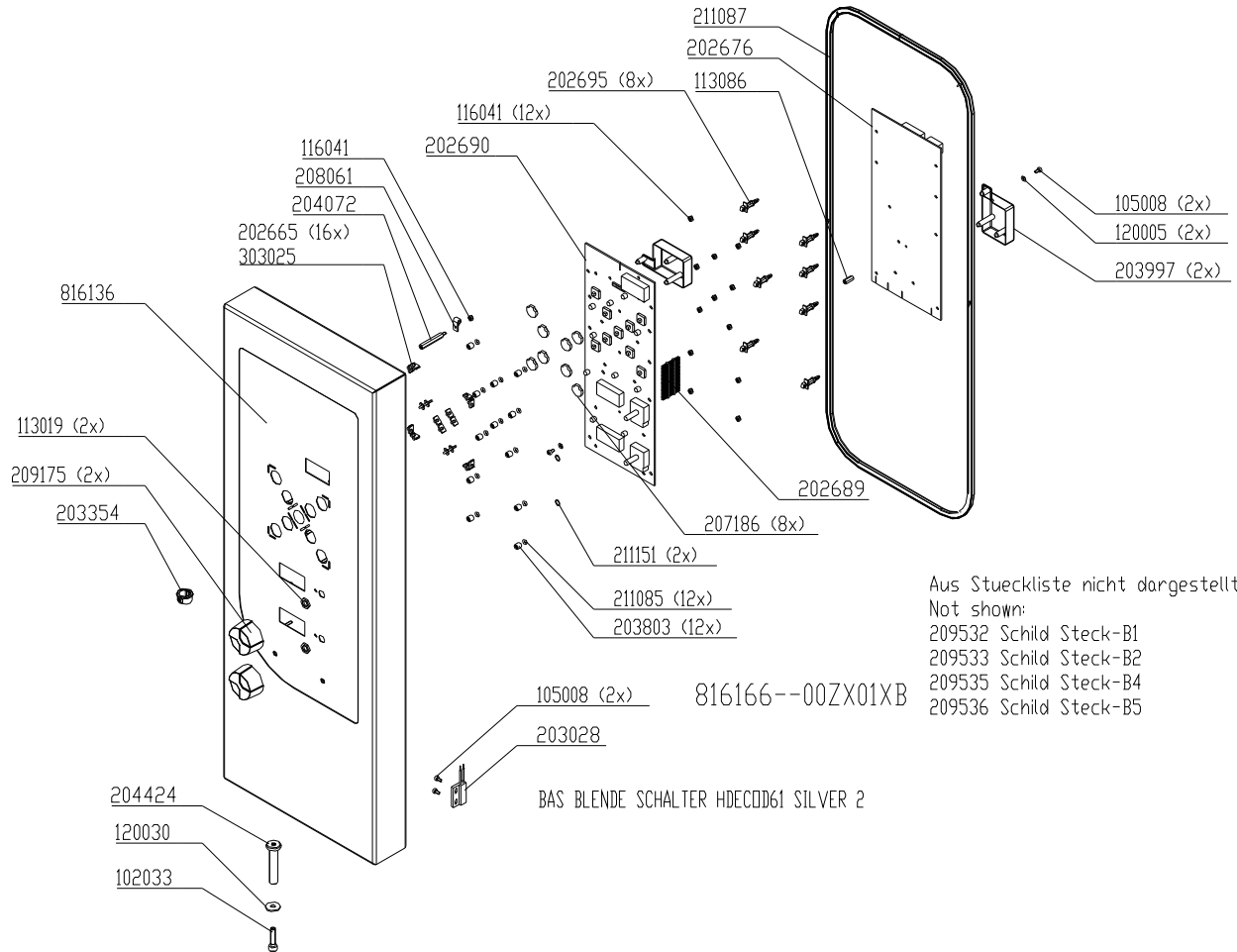
Front panel 6.x Silver2 without hand shower.....	5
Front panel 6.x Silver2 with hand shower.....	6
Front panel 10.x Silver2 without hand shower.....	7
Front panel 10.x Silver2 with hand shower.....	8
Electric assembly 3NPE 400V HD6.1 Silver2.....	9
Electric assembly 3NPE 400V HD6.2 Silver2.....	10
Electric assembly 3NPE 400V HD10.1 Silver2.....	11
Electric assembly 3NPE 400V HD10.2 Silver2.....	12
Gas assembly HD6.1 Silver2.....	13
Gas assembly HD6.2 Silver2.....	14
Gas assembly HD10.1 Silver2.....	15
Gas assembly HD10.2 Silver2.....	16
Core temperature probe HD6.x & HD10.x Silver2.....	17
Fresh air assembly 6.x 10.x Silver2.....	18
Supply air area 6.x 10.x (without hand shower) Silver2.....	19
Supply air area 6.x 10.x (with hand shower) Silver2.....	20
Water assembly with WaveClean 50Hz HD6.x & HD10.x Silver2.....	21
Water assembly with WaveClean 60Hz HD6.x & HD10.x Silver2.....	22
Water assembly without WaveClean HD6.x & HD10.x Silver2.....	23
Chassis 6.x Electric Silver2 .....	24
Chassis 10.x Electric Silver2 .....	25
Chassis 6.x Gas Silver2 .....	26
Chassis 10.x Gas Silver2 .....	27
Chassis door area HD6.x electric, right hinged (double glazing).....	28
Chassis door area HD6.x electric, right hinged (triple glazing).....	29
Chassis door area HD6.x electric, left hinged (triple glazing).....	30
Chassis door area HD10.x electric, right hinged (double glazing).....	31
Chassis door area HD10.x electric, right hinged (triple glazing).....	32
Chassis door area HD10.x electric, left hinged (triple glazing).....	33
Chassis door area HD6.x gas, right hinged (double glazing).....	34
Chassis door area HD6.x gas, right hinged (triple glazing).....	35
Chassis door area HD6.x gas, left hinged (triple glazing).....	36
Chassis door area HD10.x gas, right hinged (double glazing).....	37
Chassis door area HD10.x electric, right hinged (triple glazing).....	38
Chassis door area HD10.x electric, left hinged (triple glazing).....	39
Front panel 20.x Silver2 without hand shower.....	41
Front panel 20.x Silver2 with hand shower.....	42
Electric assembly 3NPE 400V HD20.1 Silver2.....	43
Electric assembly 3NPE 400V HD20.2 Silver2.....	44
Fresh air assembly 20.x Silver2.....	45
Gas assembly HD20.1 Silver2.....	46
Gas assembly HD20.2 Silver2.....	47
Core temperature probe HD20.x Silver2.....	48
Supply air area 20.x (without hand shower) Silver2.....	49
Supply air area 20.x (with hand shower) Silver2.....	50
Water assembly without WaveClean HD20.x Silver2.....	51
Water assembly with WaveClean 50Hz HD20.x Silver2.....	52
Water assembly with WaveClean 60Hz HD20.x Silver2.....	53
Chassis 20.x Electric Silver2 .....	54

Chassis 20.x Gas Silver2 ..... 55  
Chassis door area HD20.x electric, right hinged (triple glazing)..... 56  
Chassis door area HD20.x electric, left hinged (triple glazing)..... 57  
Chassis door area HD20.x gas, right hinged (triple glazing)..... 58  
Chassis door area HD20.x gas, left hinged (triple glazing)..... 59

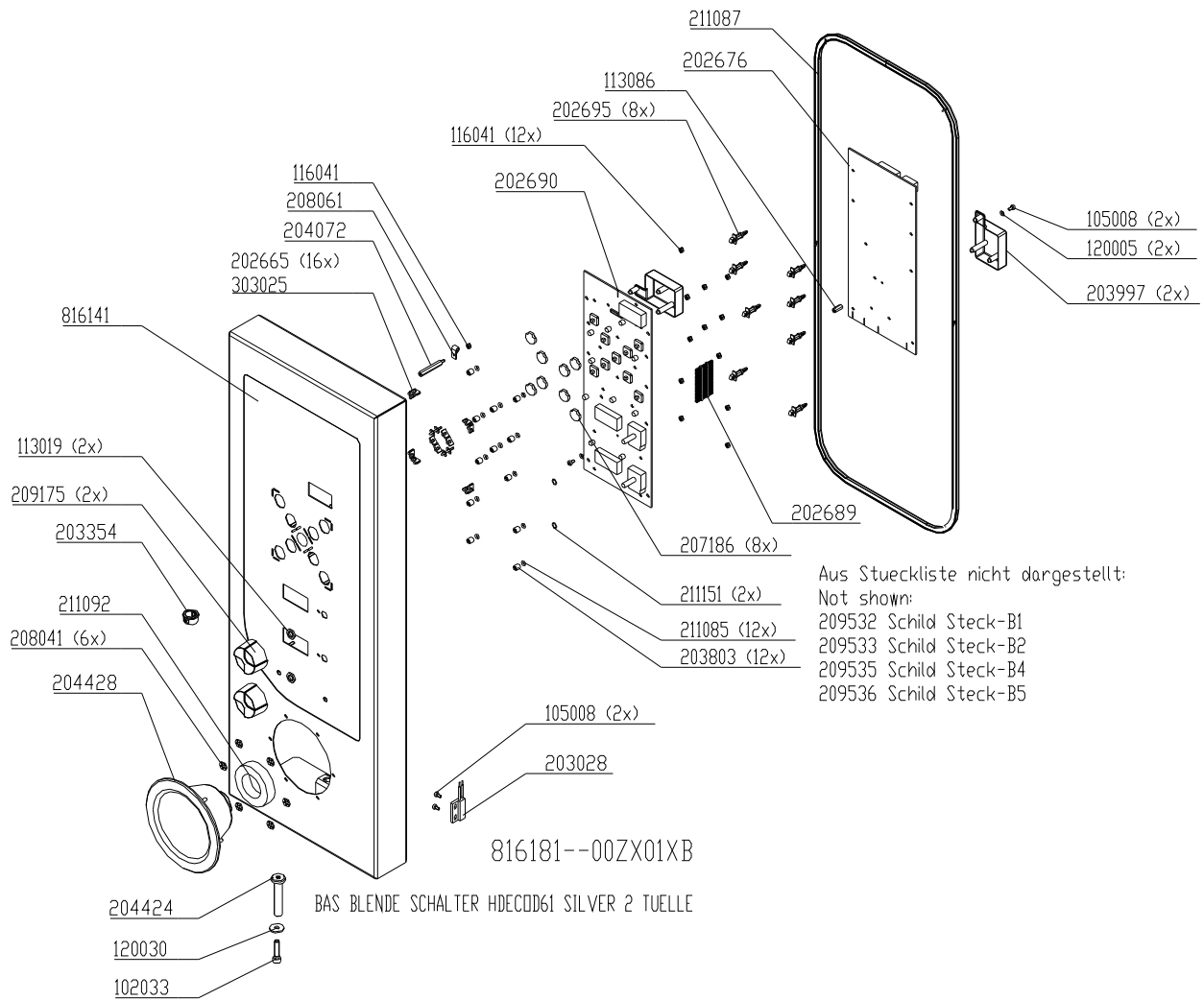
## **Exploded drawings 6.x & 10.x**

### **Electric & Gas**

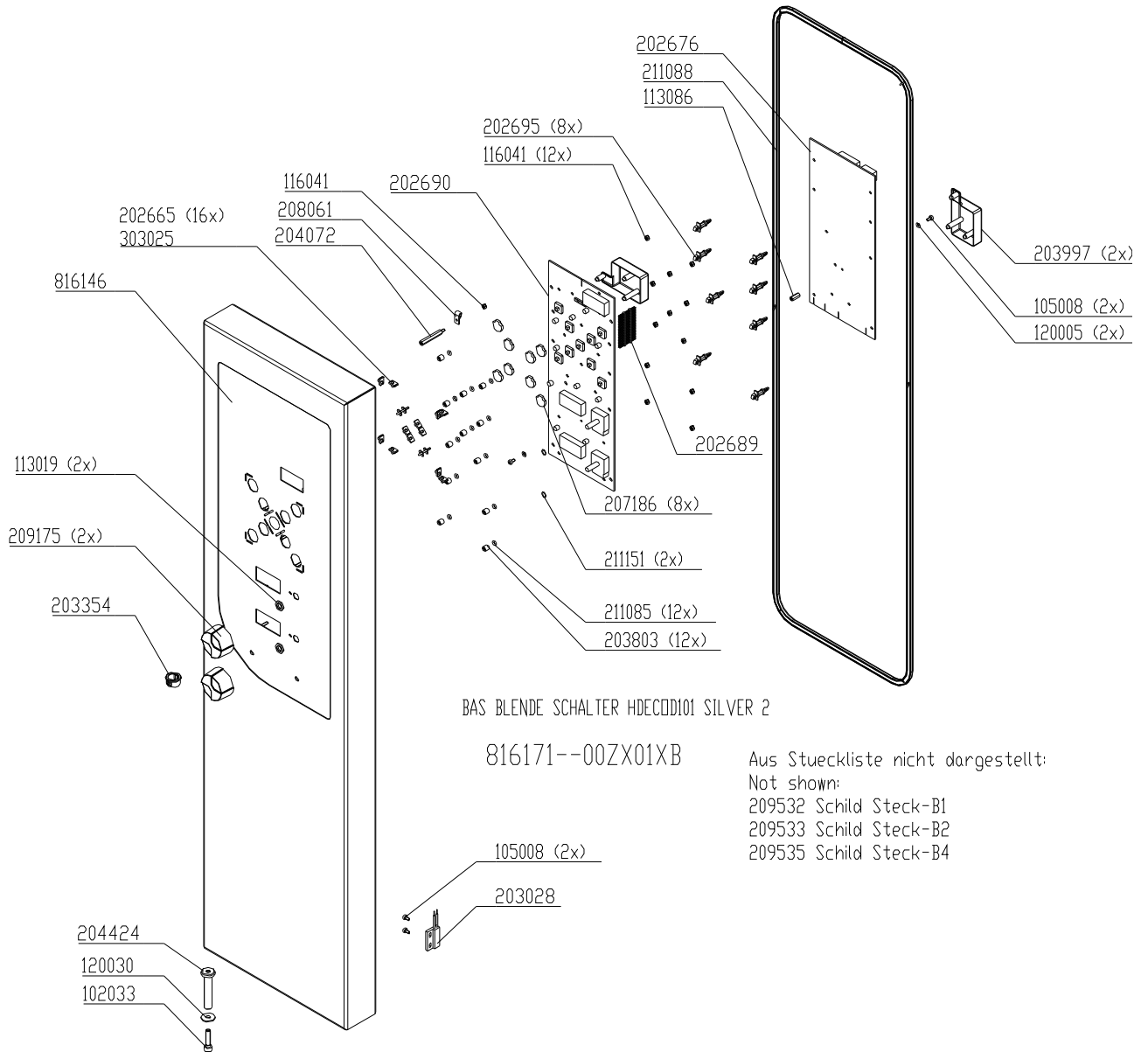
## Front panel 6.x Silver2 without hand shower



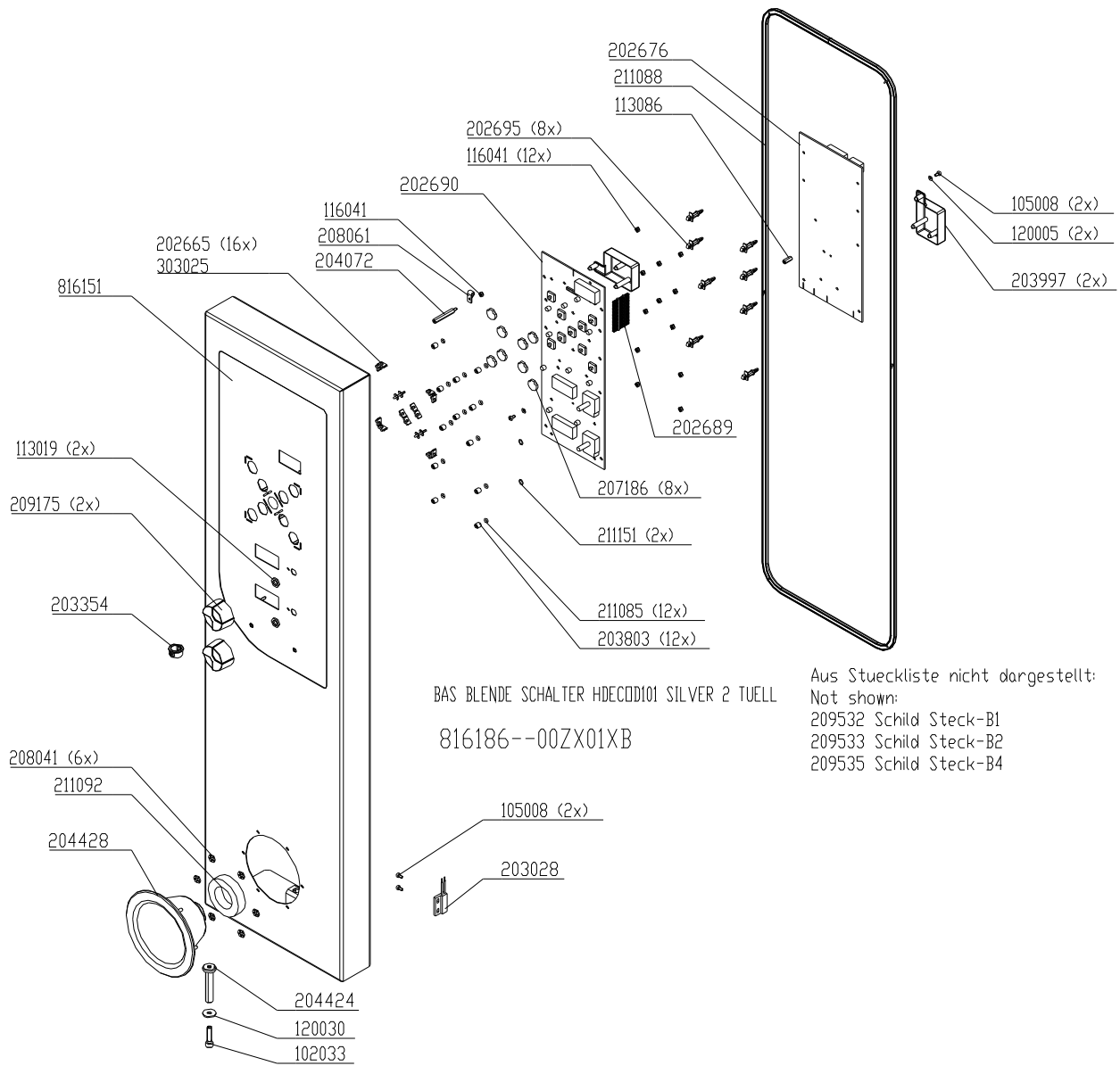
## Front panel 6.x Silver2 with hand shower



## Front panel 10.x Silver2 without hand shower



## Front panel 10.x Silver2 with hand shower

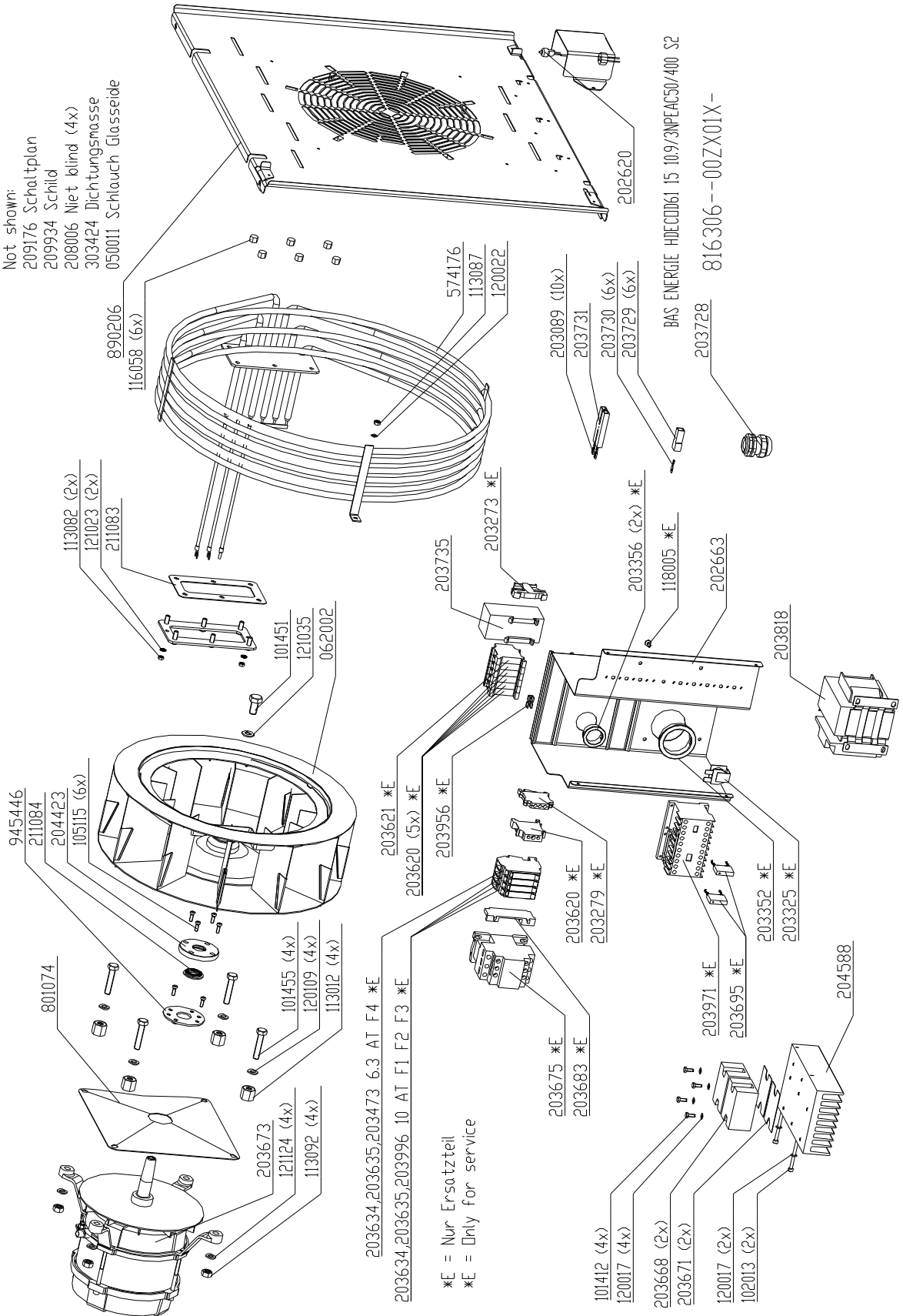




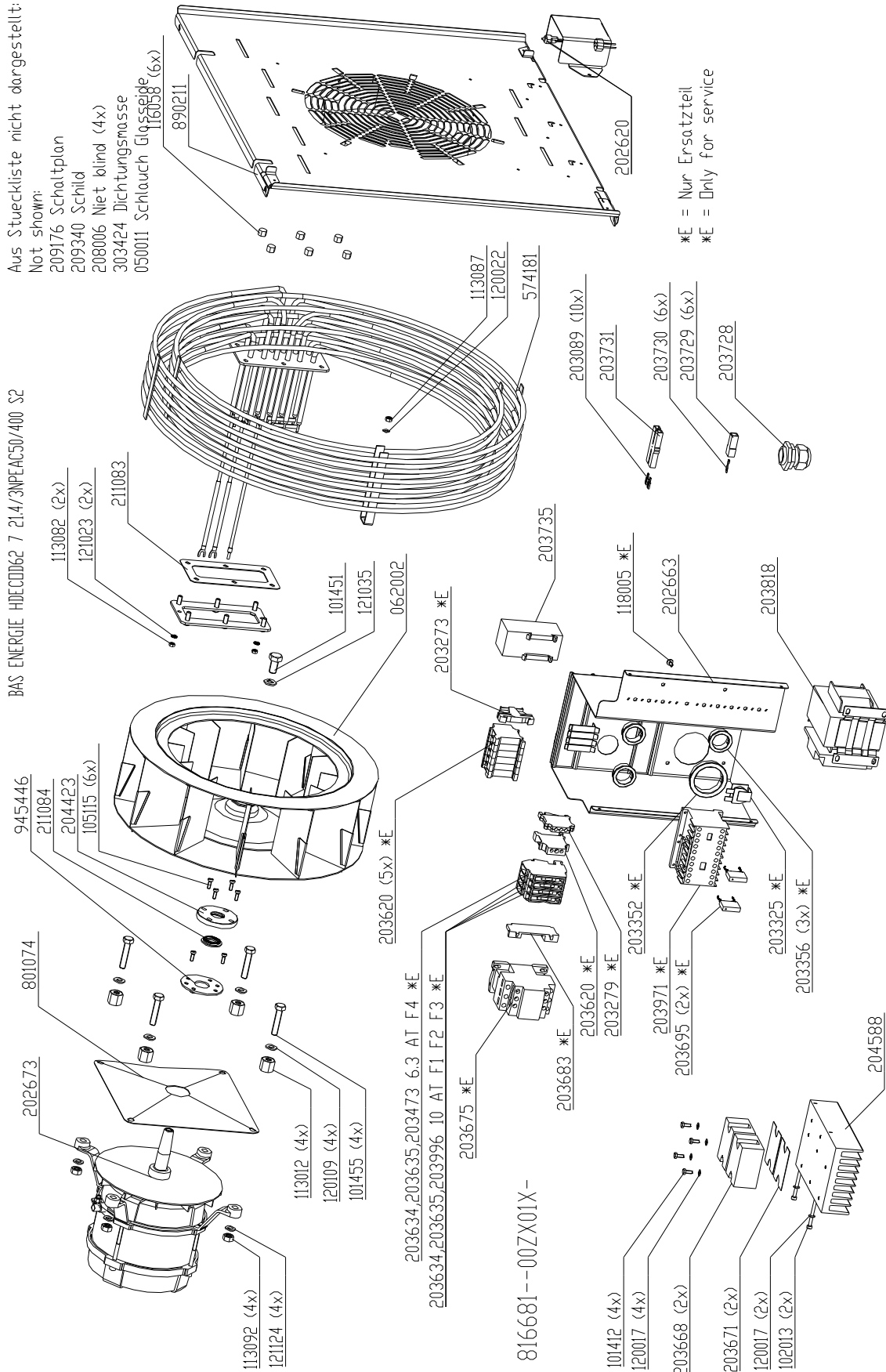
## Electric assembly 3NPE 400V HD6.1 Silver2

Aus Stueckliste nicht dargestellt:  
Not shown:

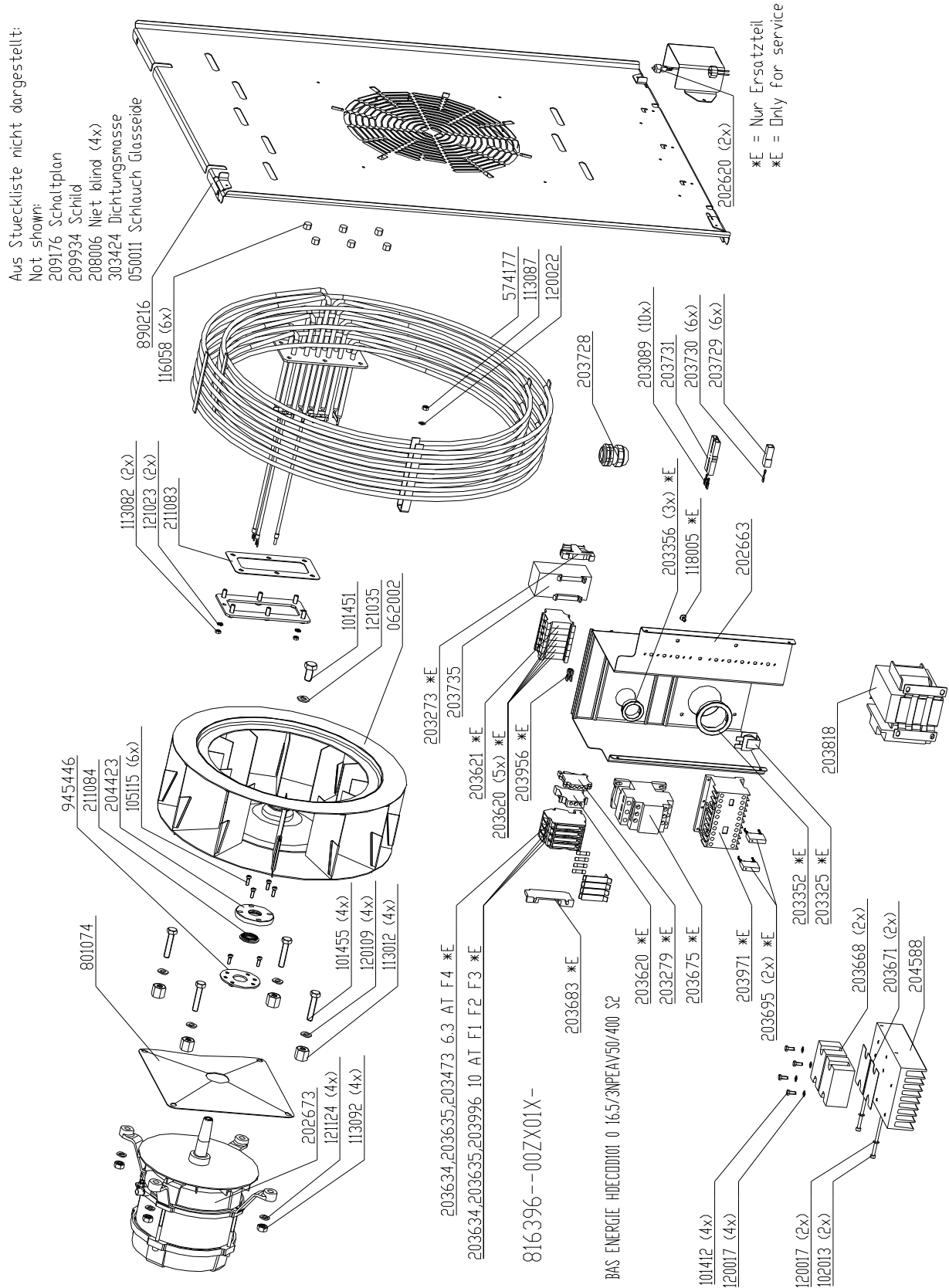
- 209176 Schaltplan
- 209934 Schild
- 208006 Niet blind (4x)
- 303424 Dichtungsmasse
- 050011 Schlauch Glasseele



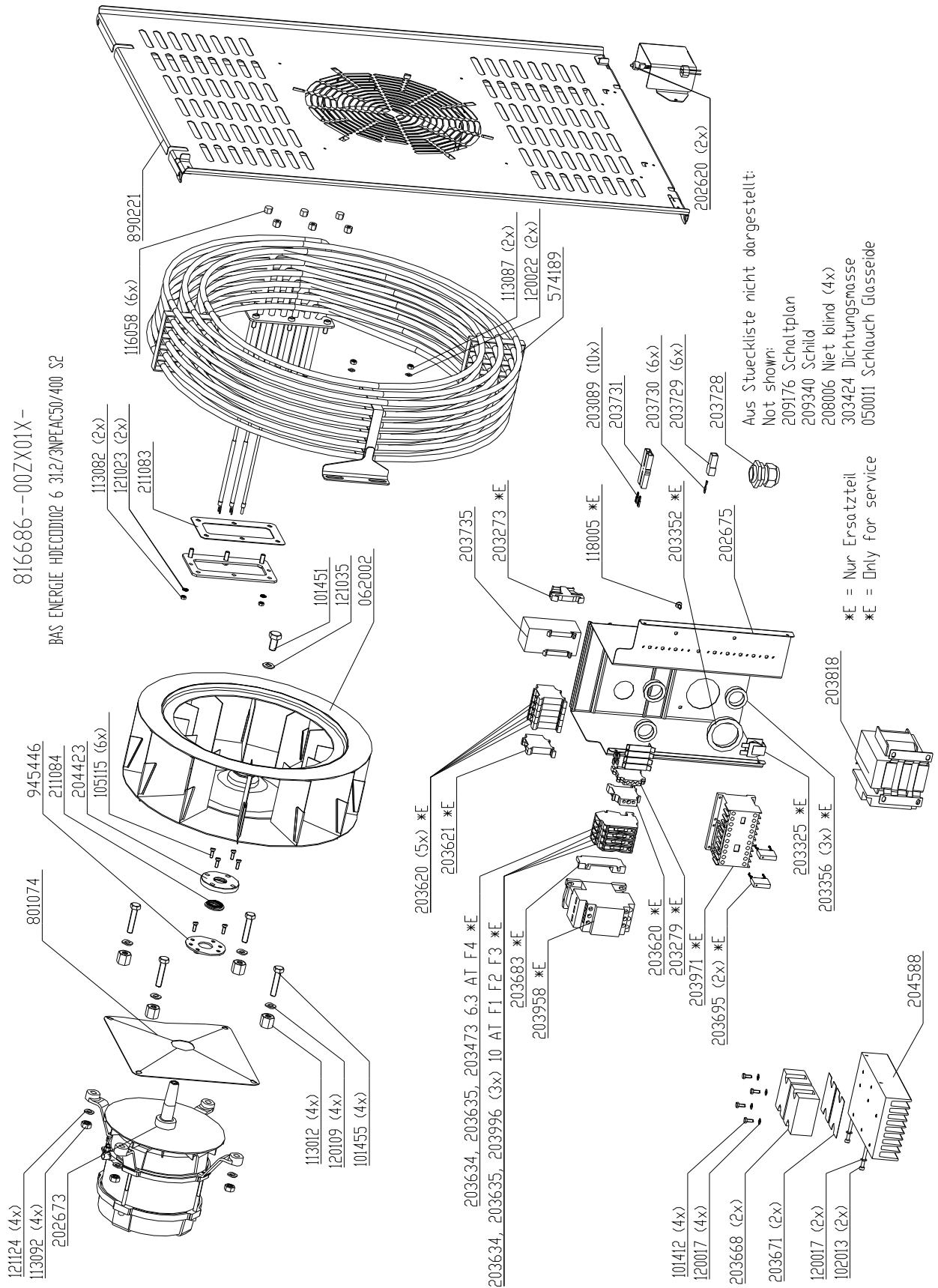
## Electric assembly 3NPE 400V HD6.2 Silver2



## Electric assembly 3NPE 400V HD10.1 Silver2

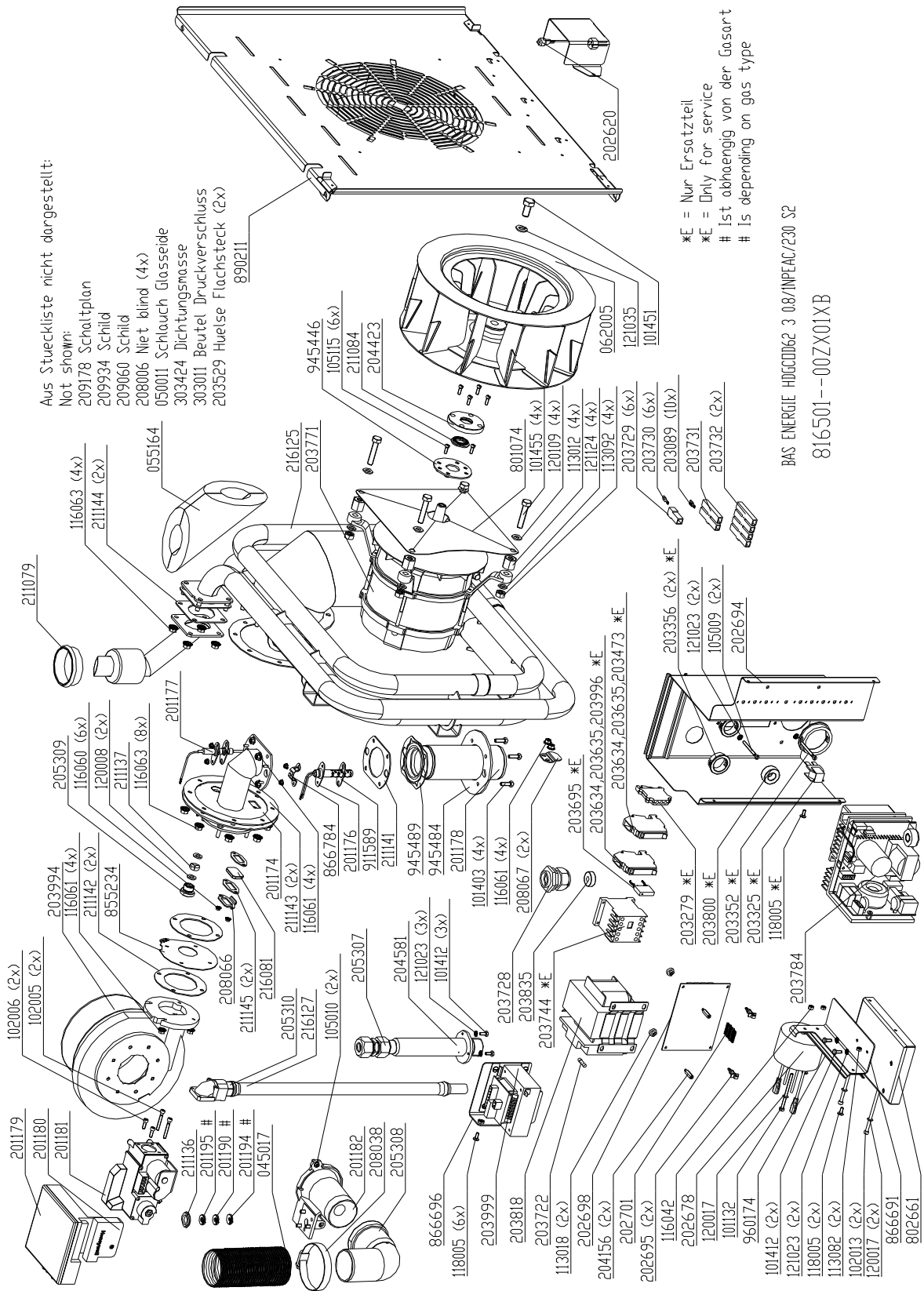


## Electric assembly 3NPE 400V HD10.2 Silver2





# Gas assembly HD6.2 Silver2

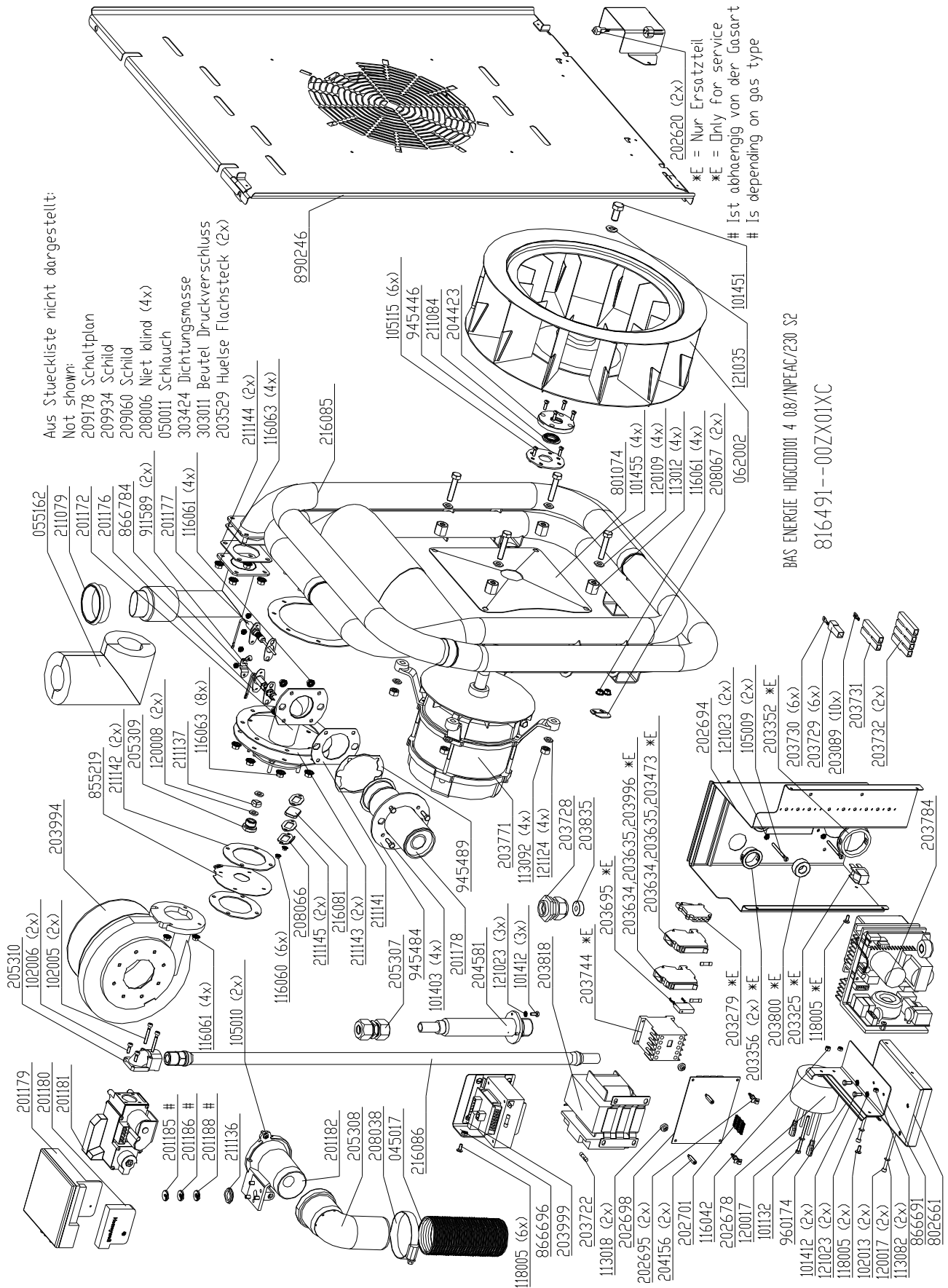


Aus Stueckliste nicht dargestellt:  
 Not shown:  
 209178 Schaltplan  
 209934 Schild  
 209060 Schild  
 208006 Niet blind (4x)  
 050011 Schlauch Glasseide  
 303424 Dichtungsmasse  
 303011 Beutel Druckverschluss  
 203529 Huelse Flachsteck (2x)  
 890211

\*E = Nur Ersatzteil  
 \*E = Only for service  
 # Ist abhoengig von der Gasart  
 # Is depending on gas type

BAS ENERGIE HDGCD62 3 08/INPEAC/230 SE  
 816501--00ZX01XB

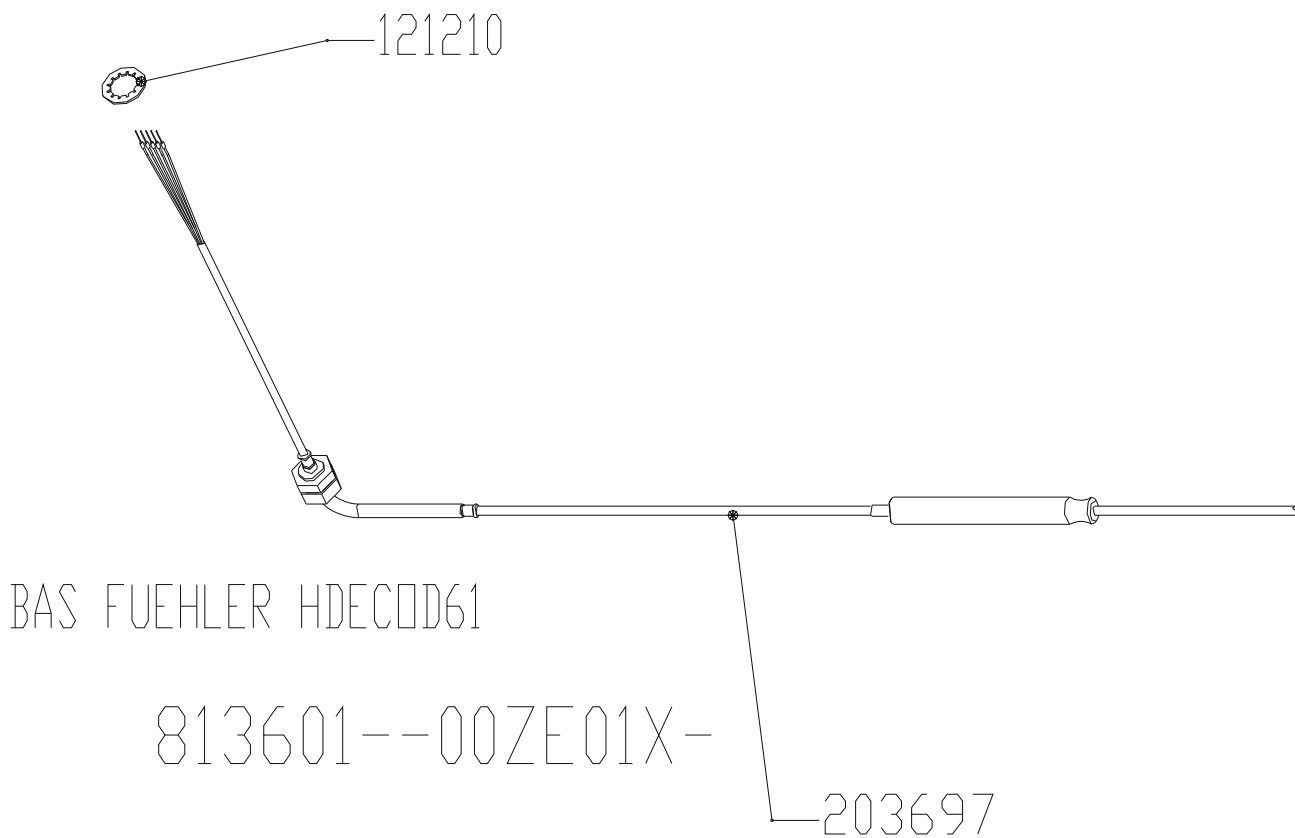
## Gas assembly HD10.1 Silver2



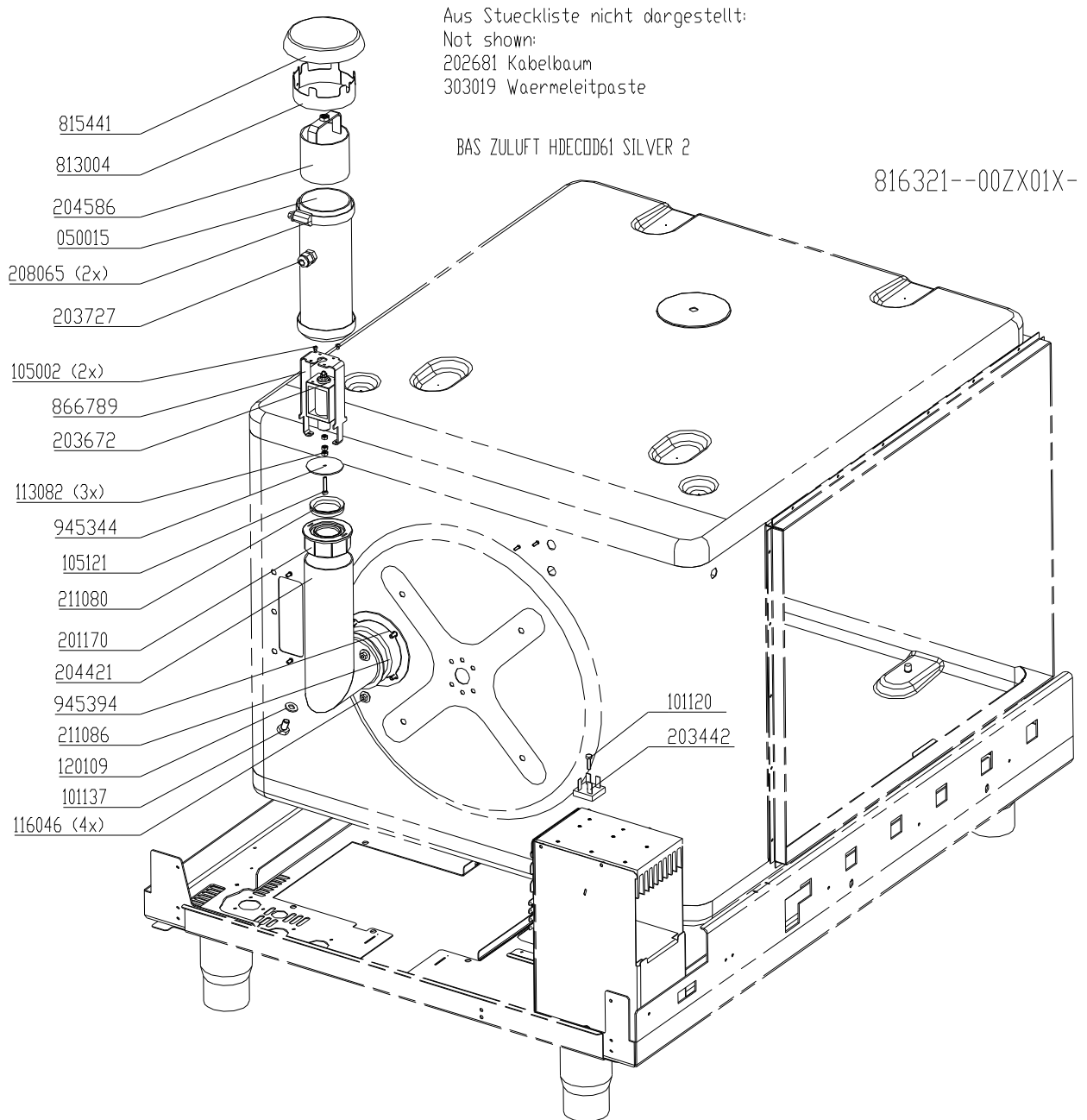




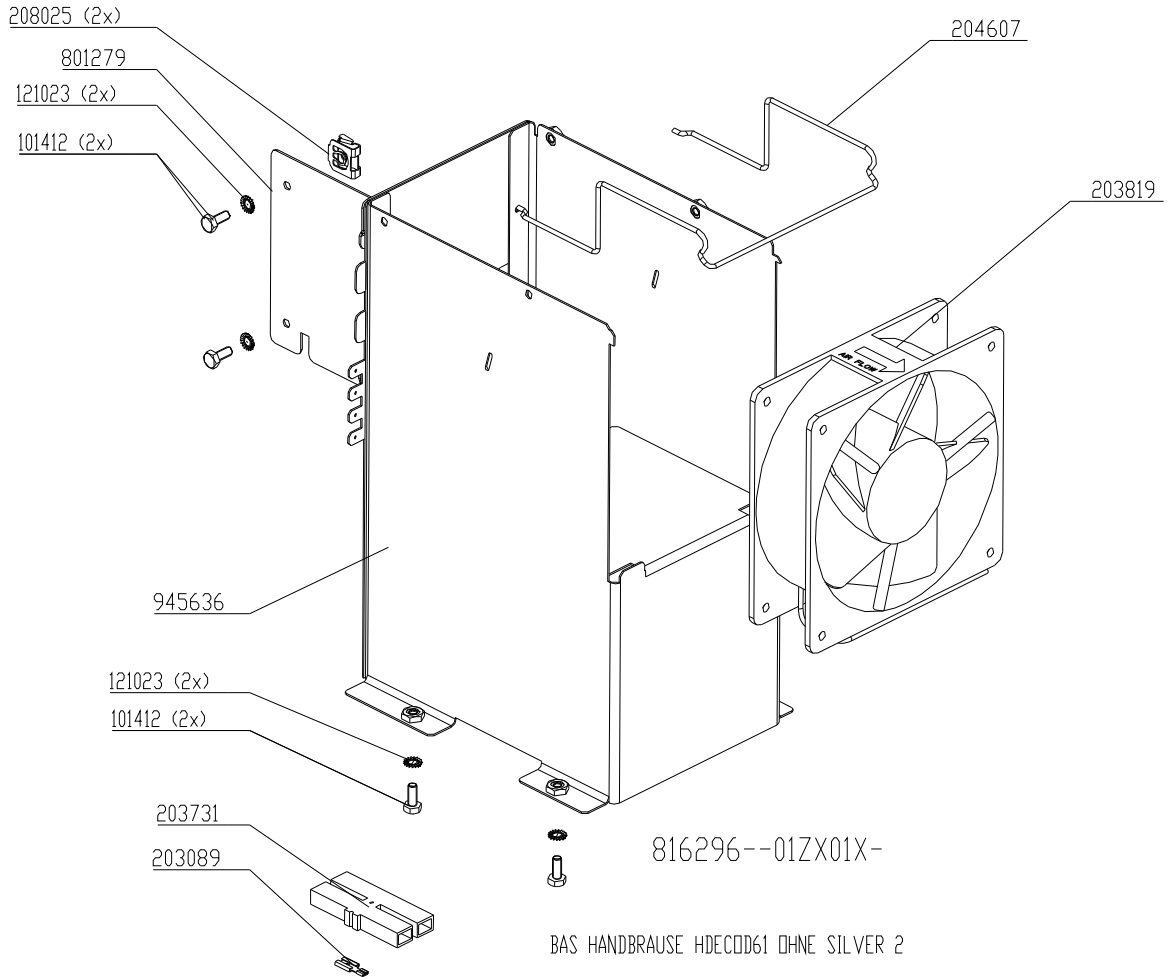
### Core temperature probe HD6.x & HD10.x Silver2



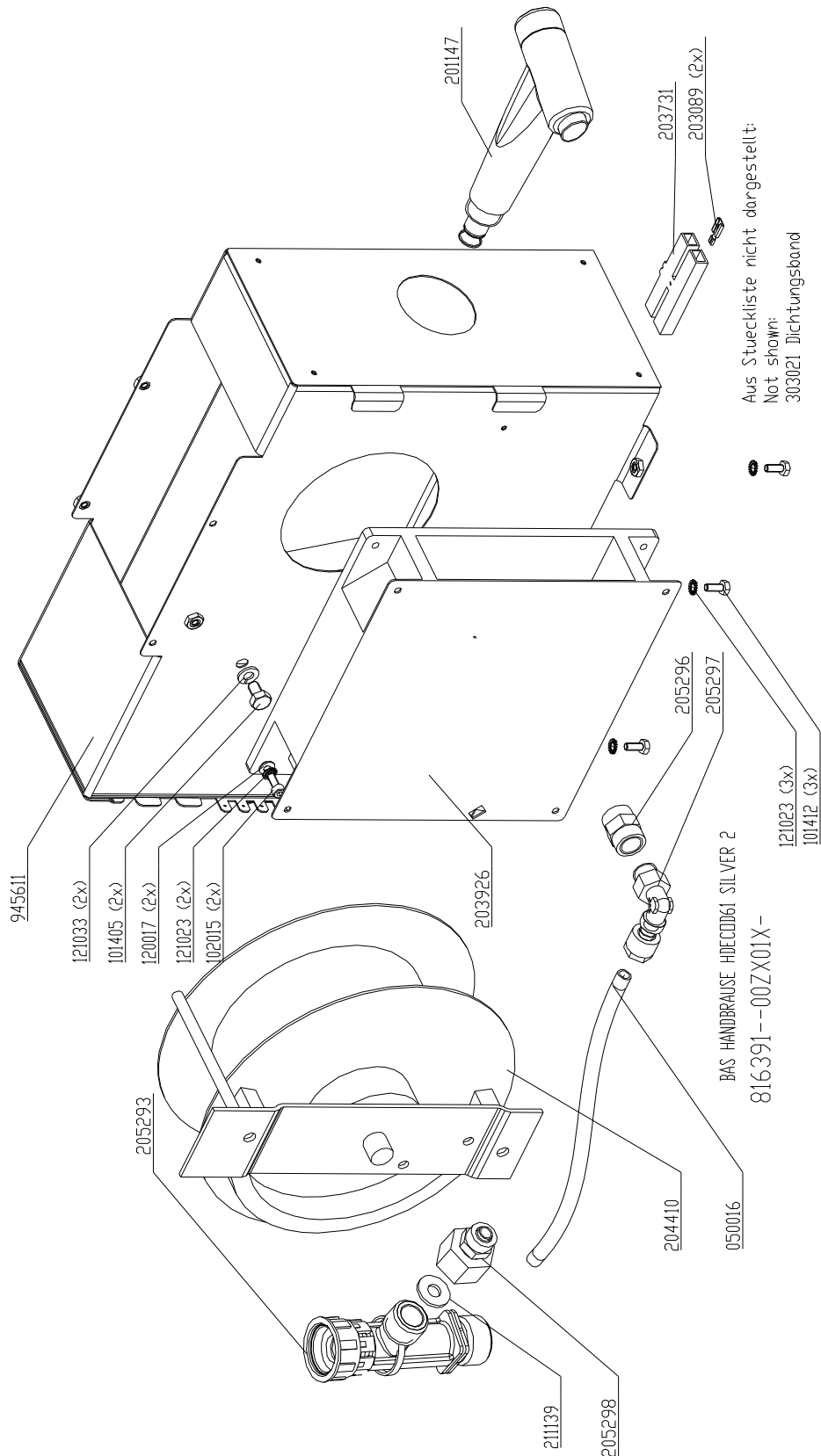
## Fresh air assembly 6.x 10.x Silver2



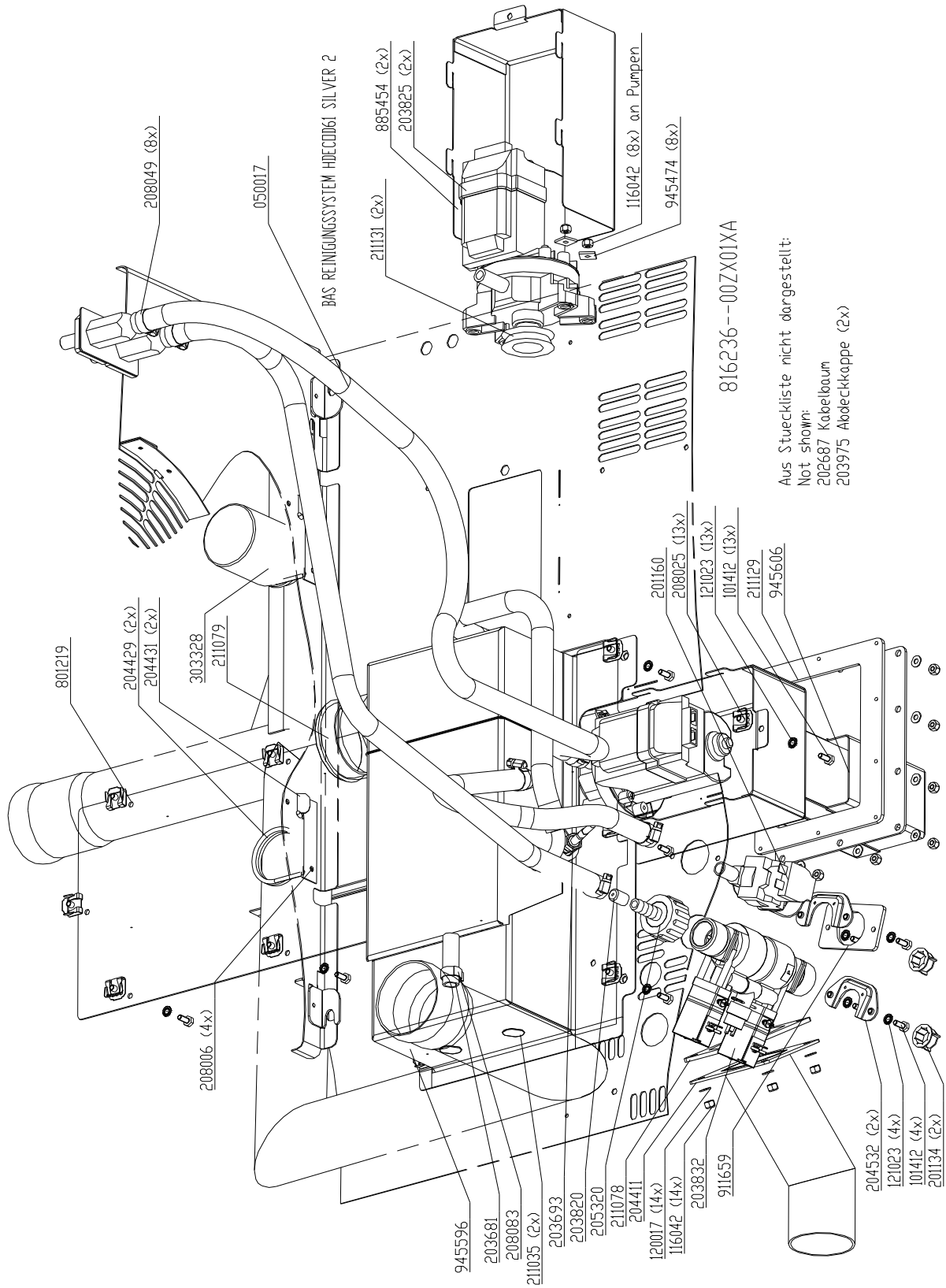
### Supply air area 6.x 10.x (without hand shower) Silver2



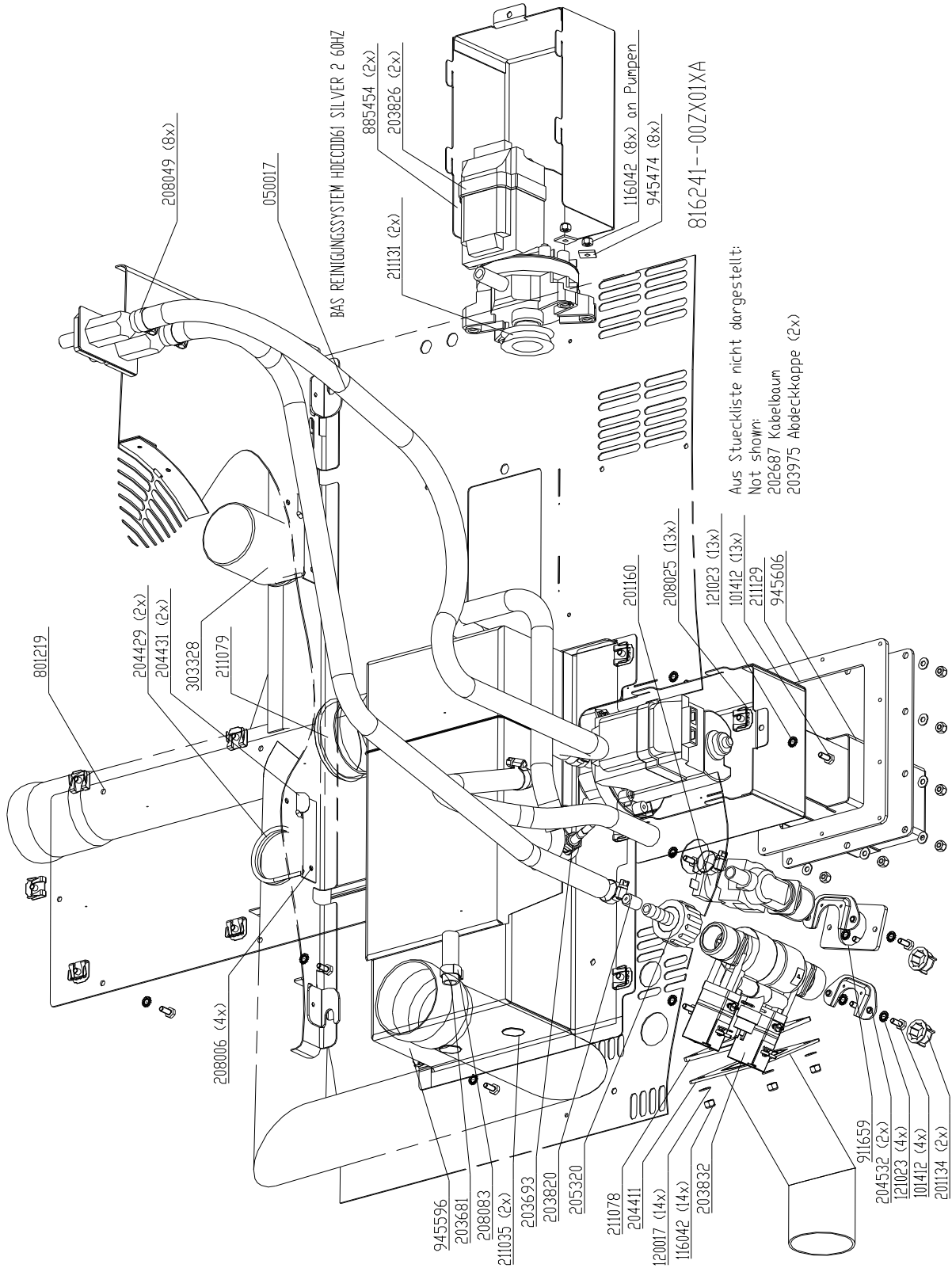
## Supply air area 6.x 10.x (with hand shower) Silver2



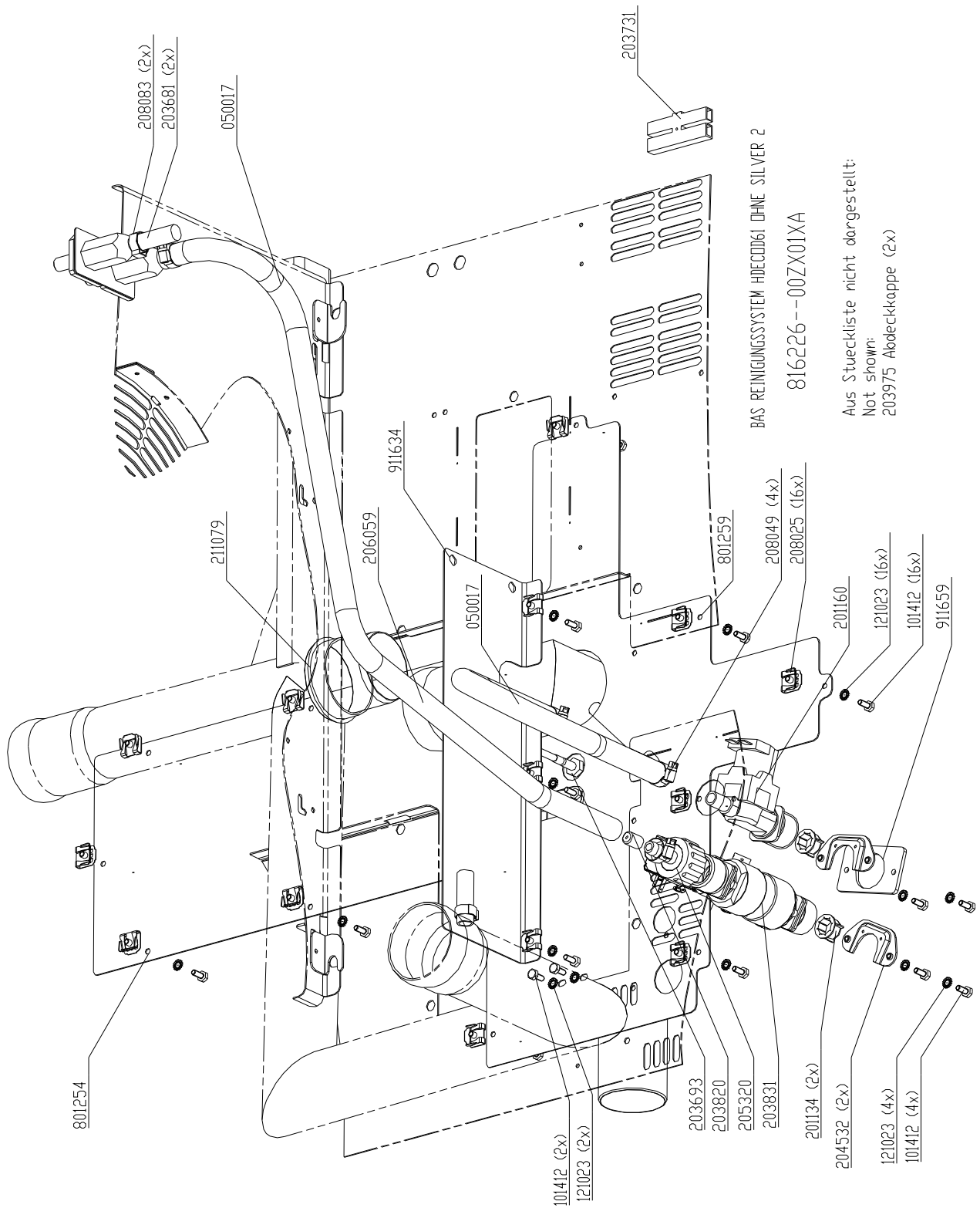
# Water assembly with WaveClean 50Hz HD6.x & HD10.x Silver2



# Water assembly with WaveClean 60Hz HD6.x & HD10.x Silver2



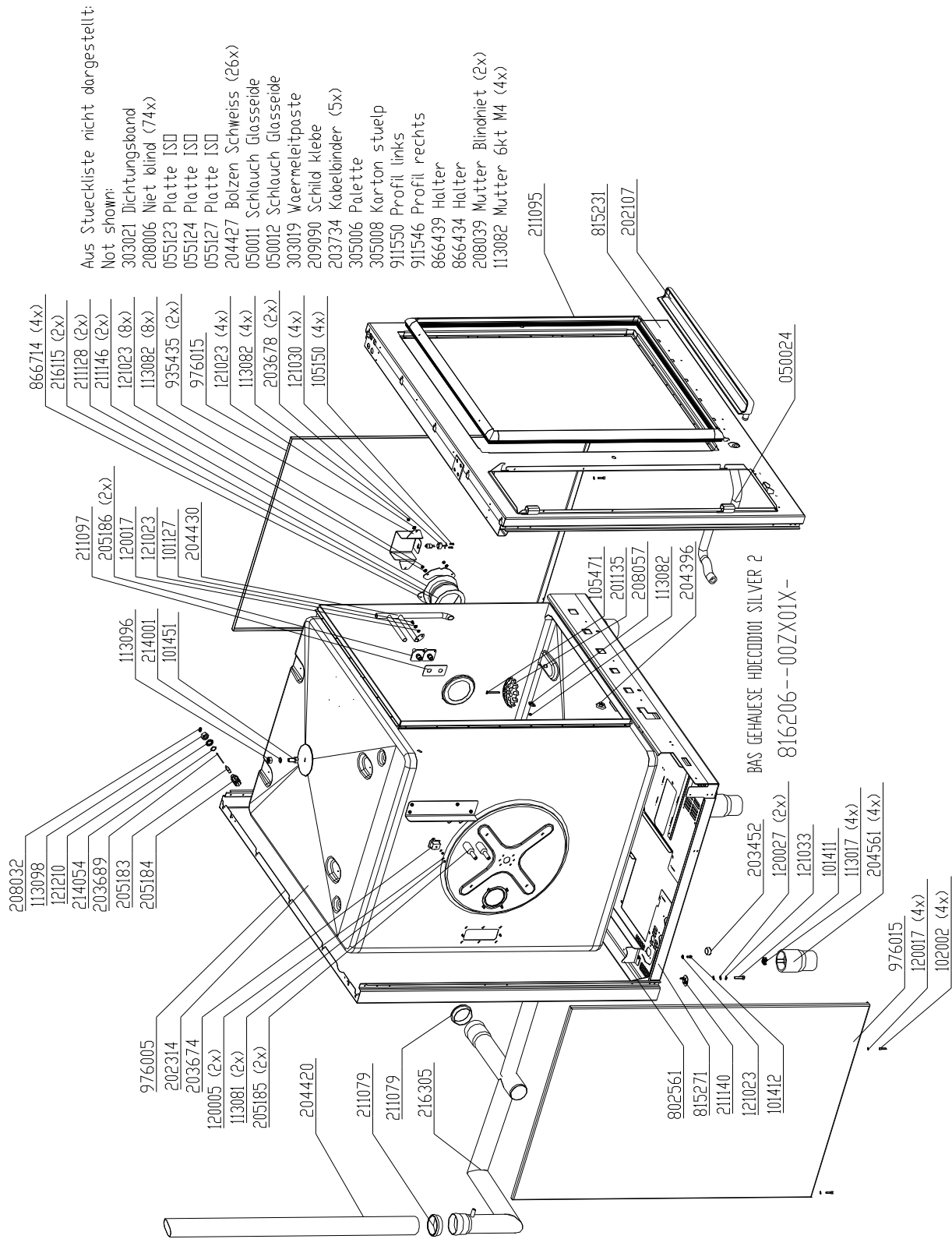
## Water assembly without WaveClean HD6.x & HD10.x Silver2



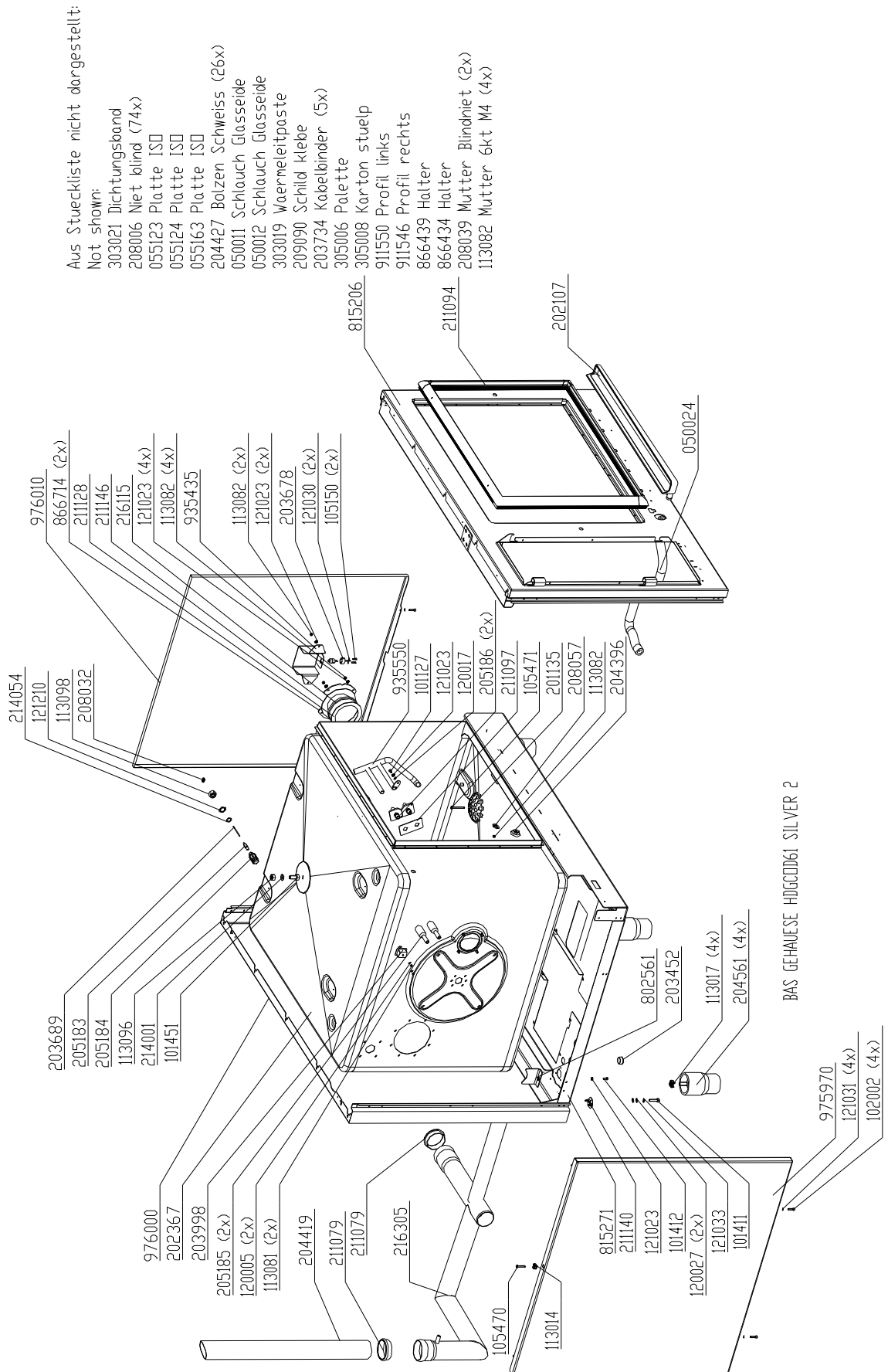




## Chassis 10.x Electric Silver2



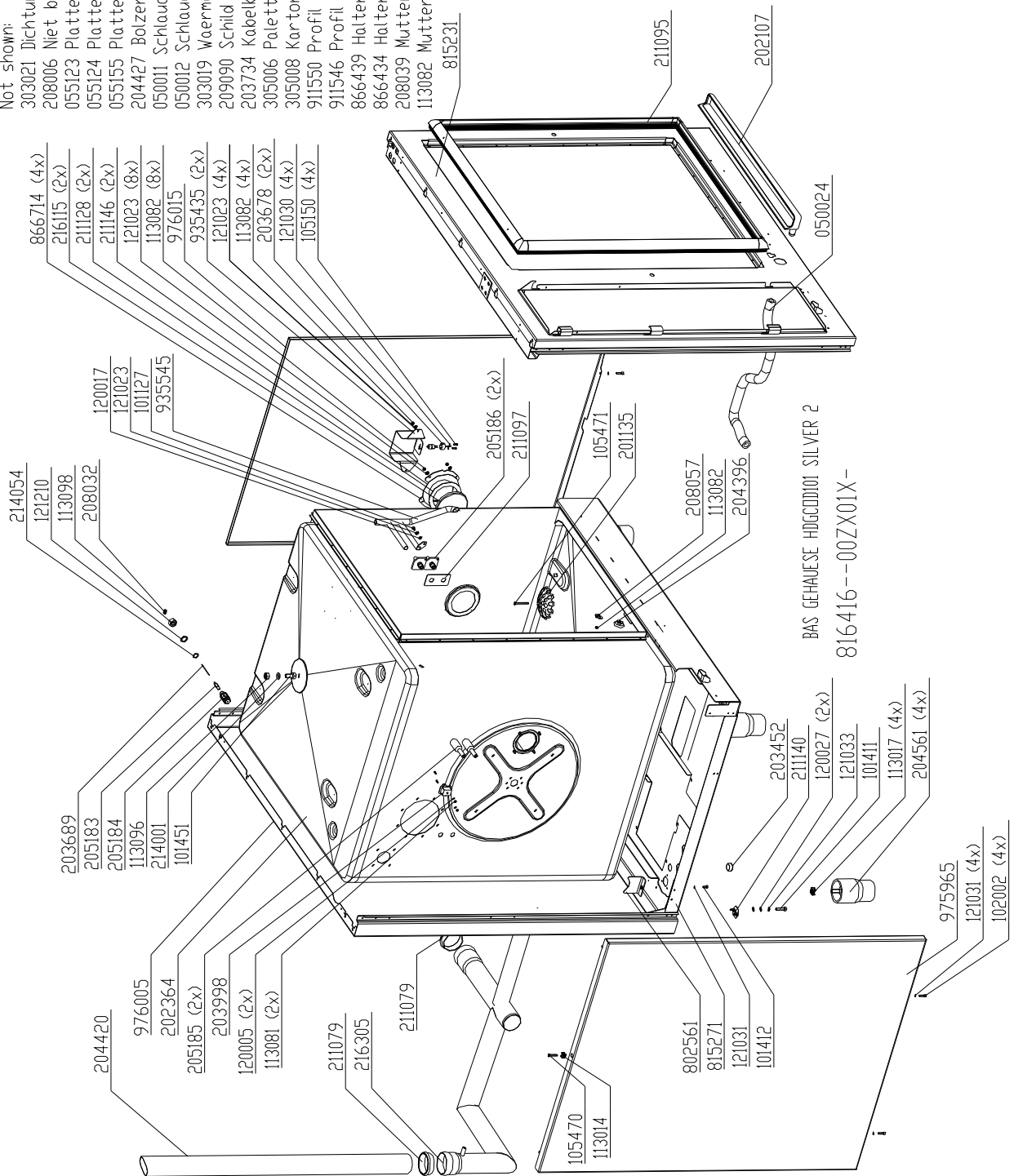
### Chassis 6.x Gas Silver2



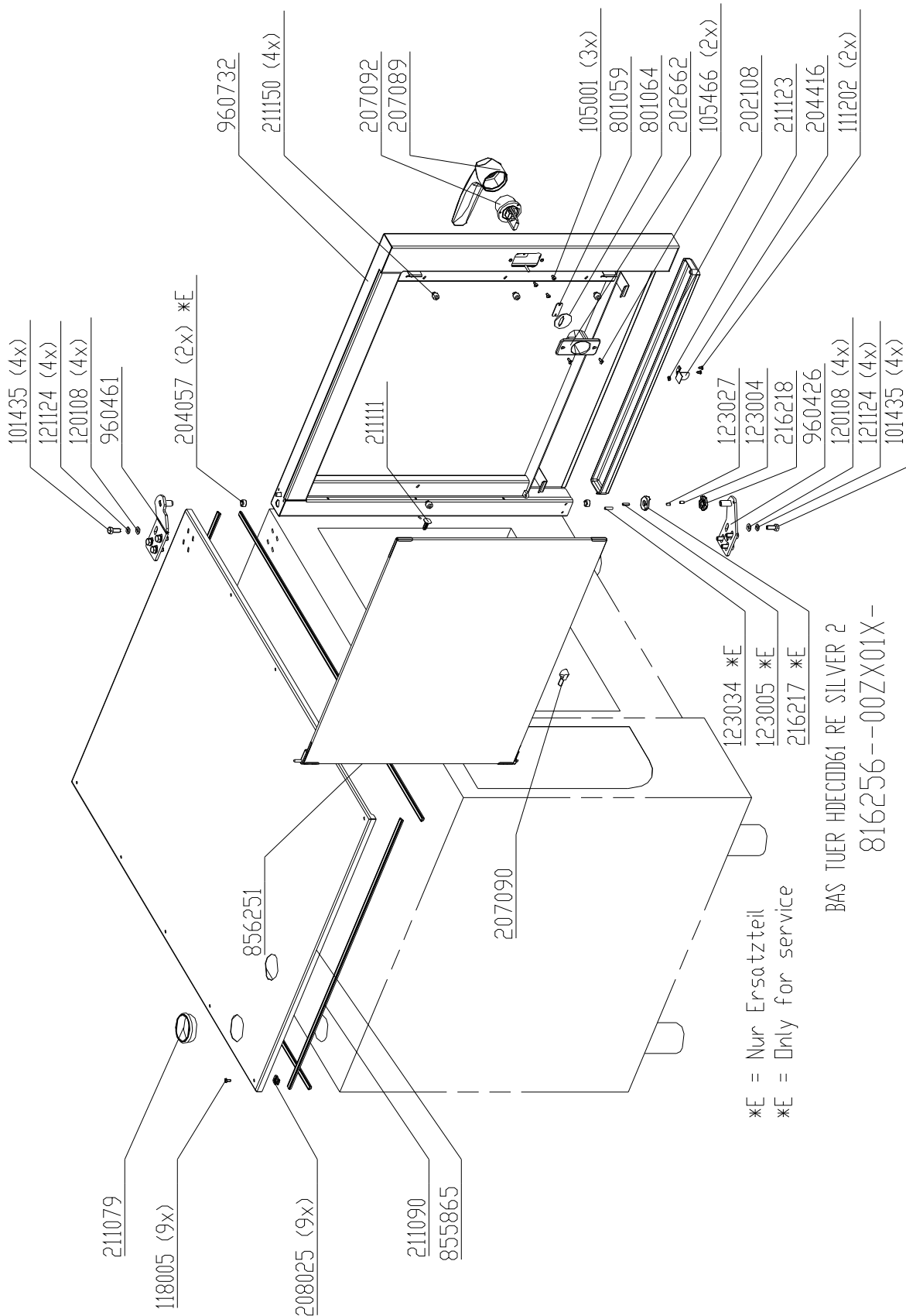
## Chassis 10.x Gas Silver2

Aus Stueckliste nicht dargestellt:  
Not shown:

- 303021 Dichtungsband
- 208006 Niet blind (74x)
- 055123 Platte ISO
- 055124 Platte ISO
- 055155 Platte ISO
- 204427 Bolzen Schweiss (26x)
- 050011 Schlauch Glasseide
- 050012 Schlauch Glasseide
- 303019 Waermeleitpaste
- 209090 Schild klebe
- 203734 Kabelbinder (5x)
- 305006 Palette
- 305008 Karton stuepel
- 911550 Profil links
- 911546 Profil rechts
- 866439 Halter
- 866434 Halter
- 208039 Mutter Blindniet (2x)
- 113082 Mutter 6kt M4 (4x)

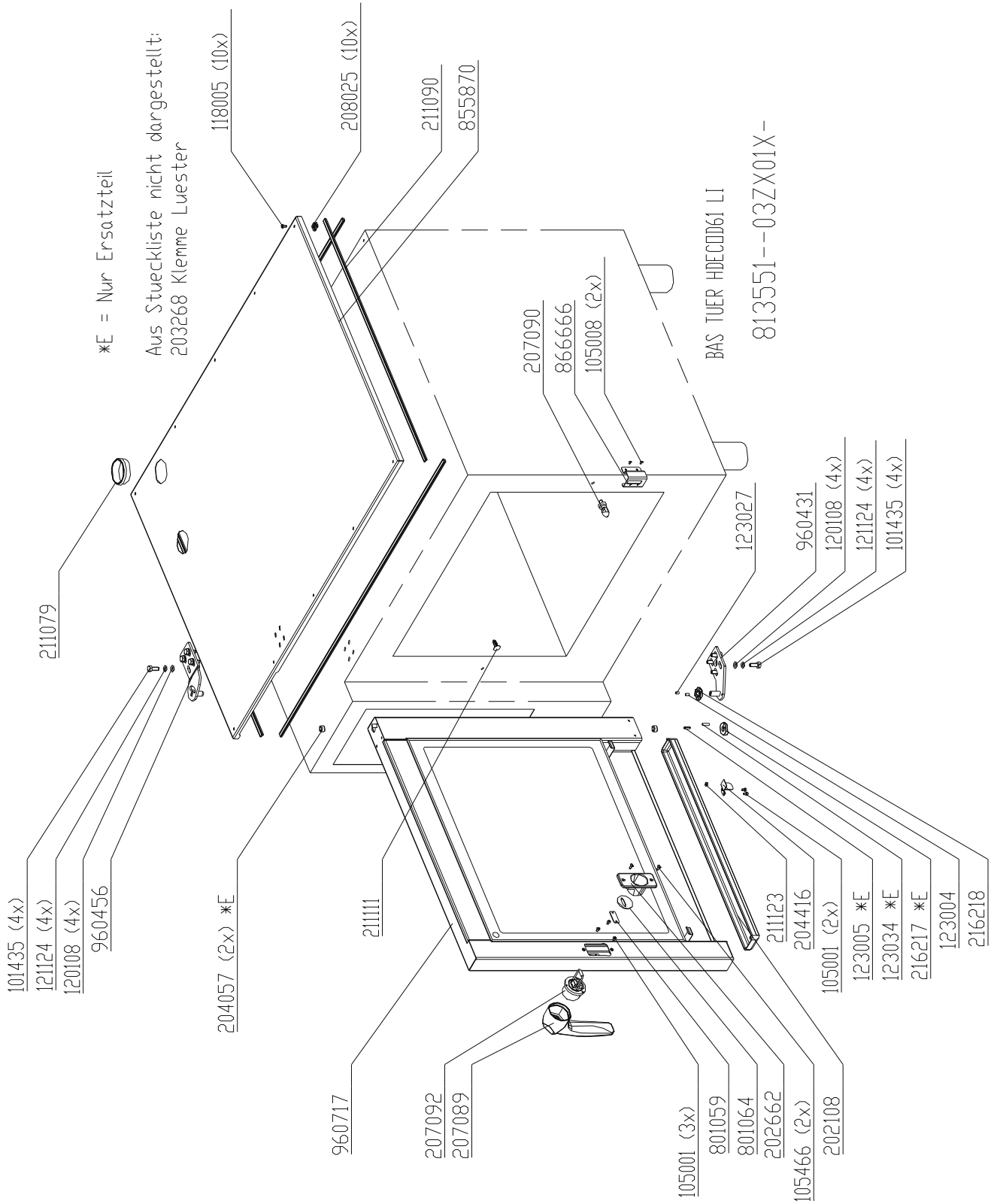


### Chassis door area HD6.x electric, right hinged (double glazing)

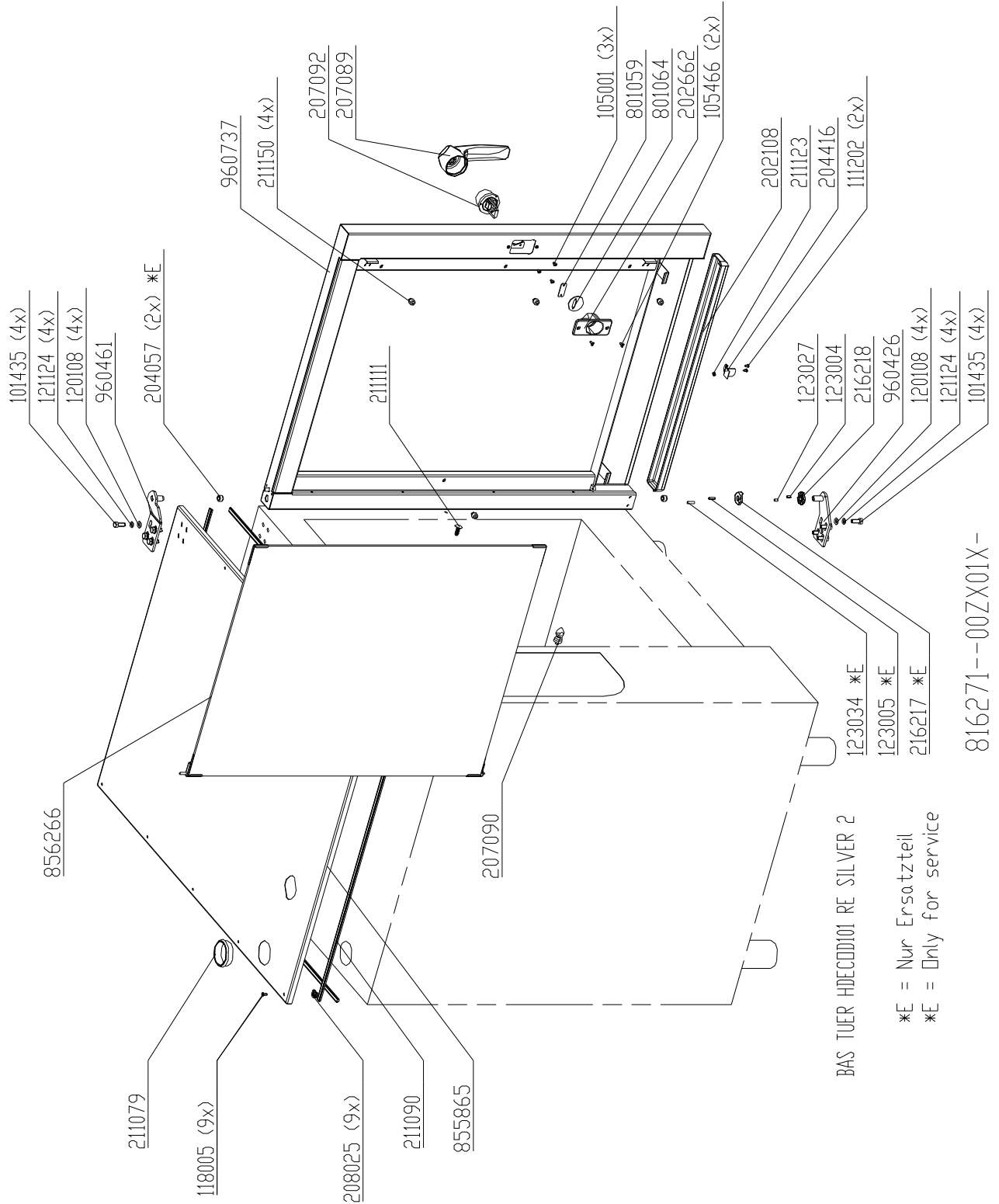




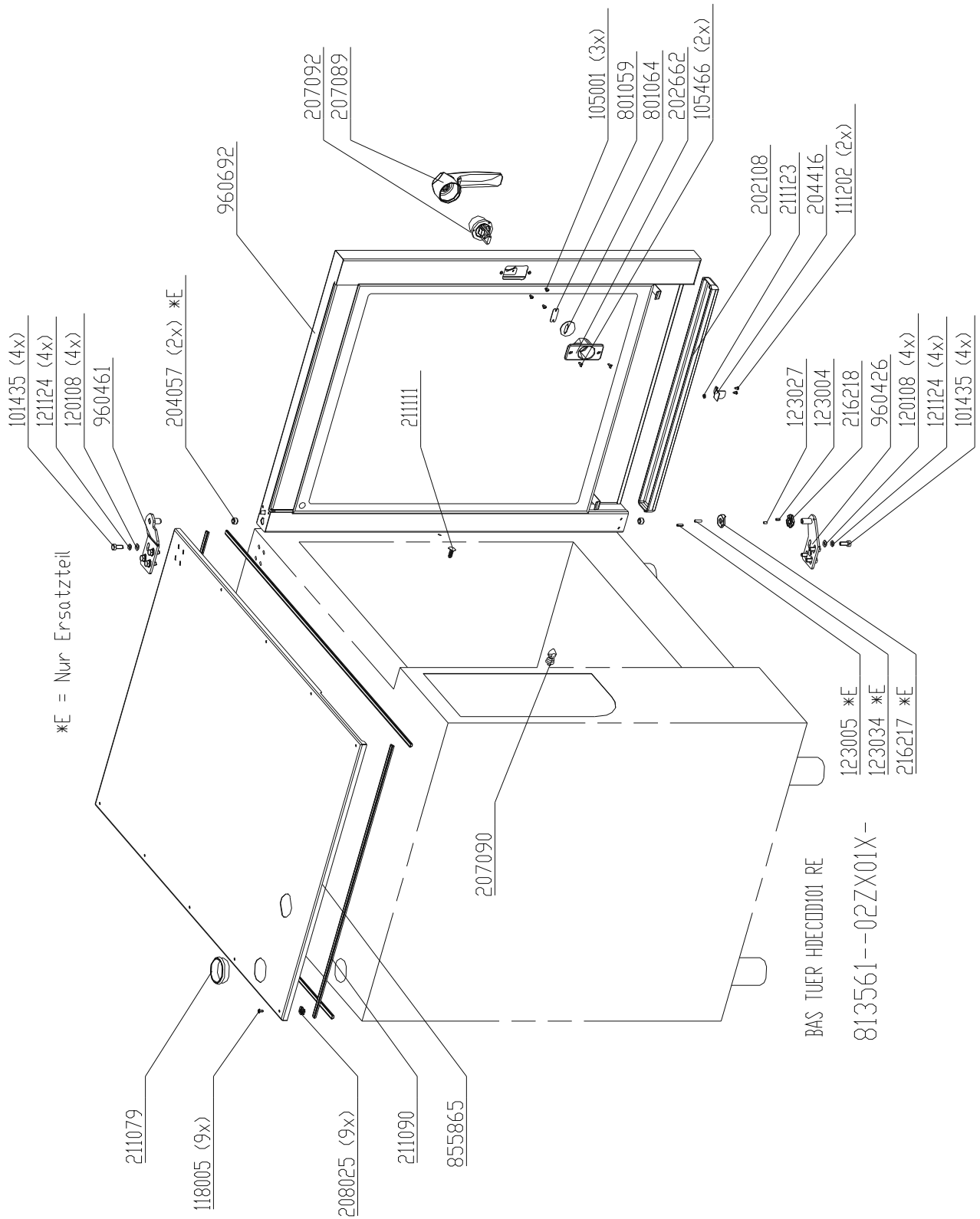
### Chassis door area HD6.x electric, left hinged (triple glazing)



### Chassis door area HD10.x electric, right hinged (double glazing)

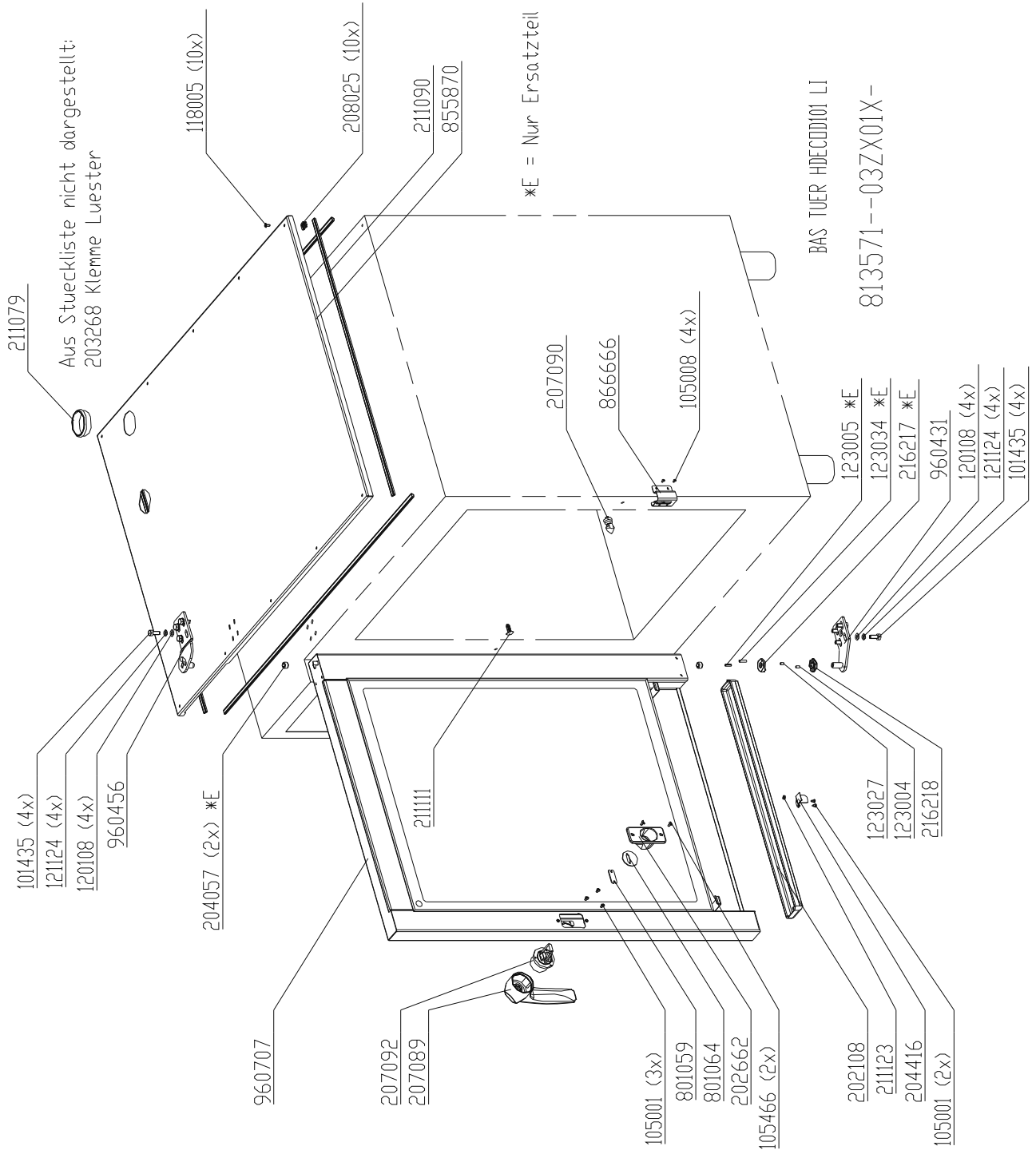


### Chassis door area HD10.x electric, right hinged (triple glazing)

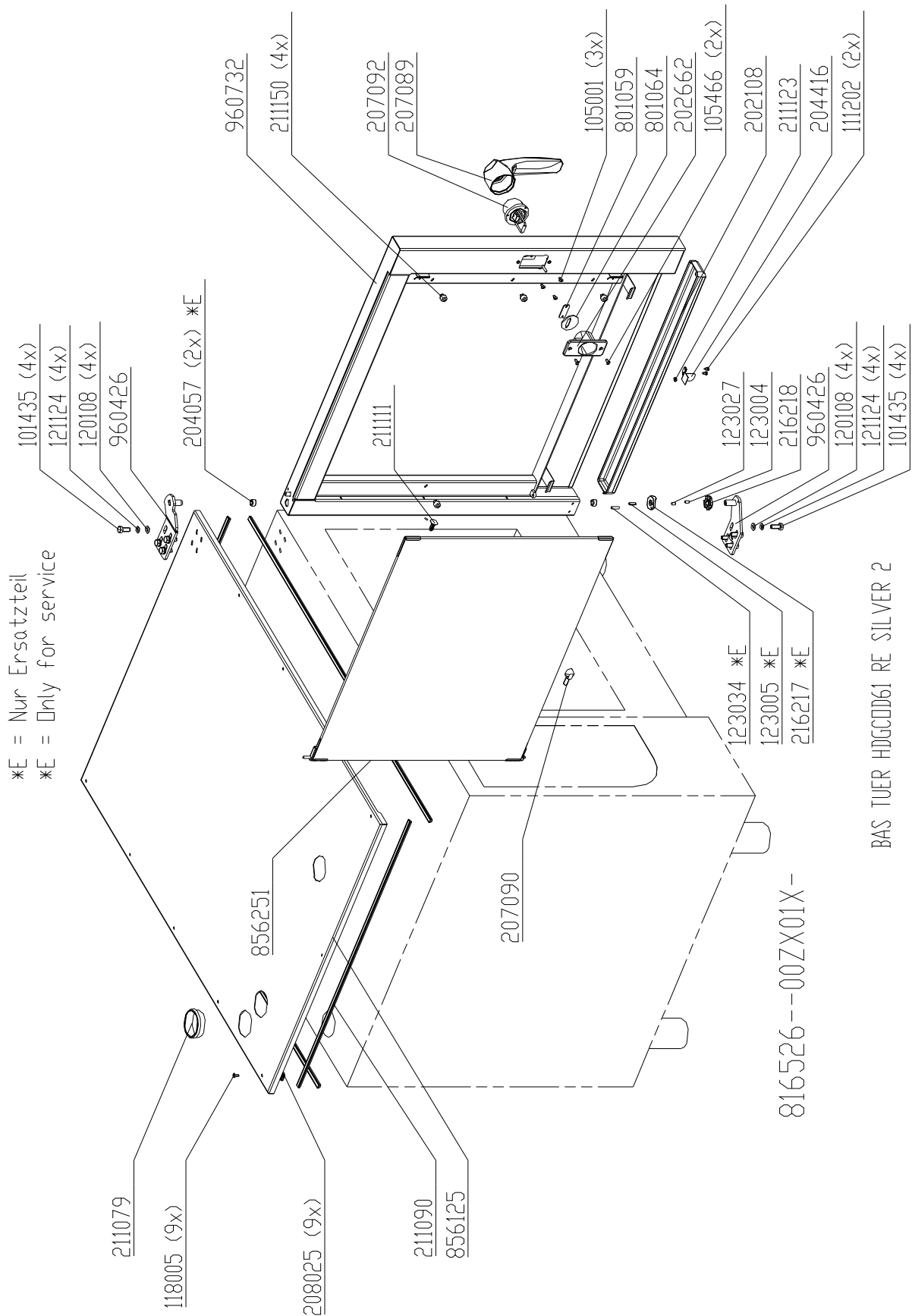




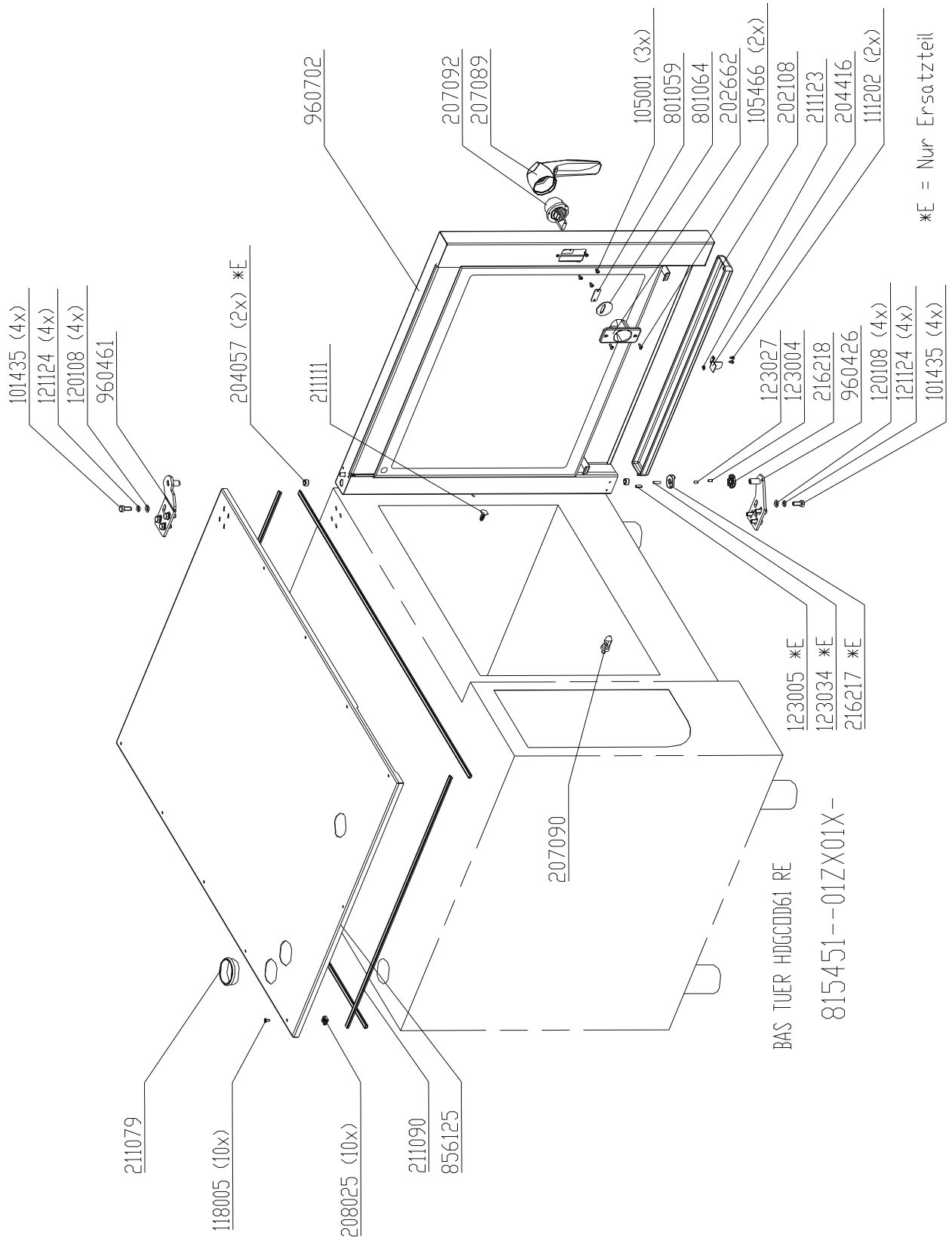
### Chassis door area HD10.x electric, left hinged (triple glazing)



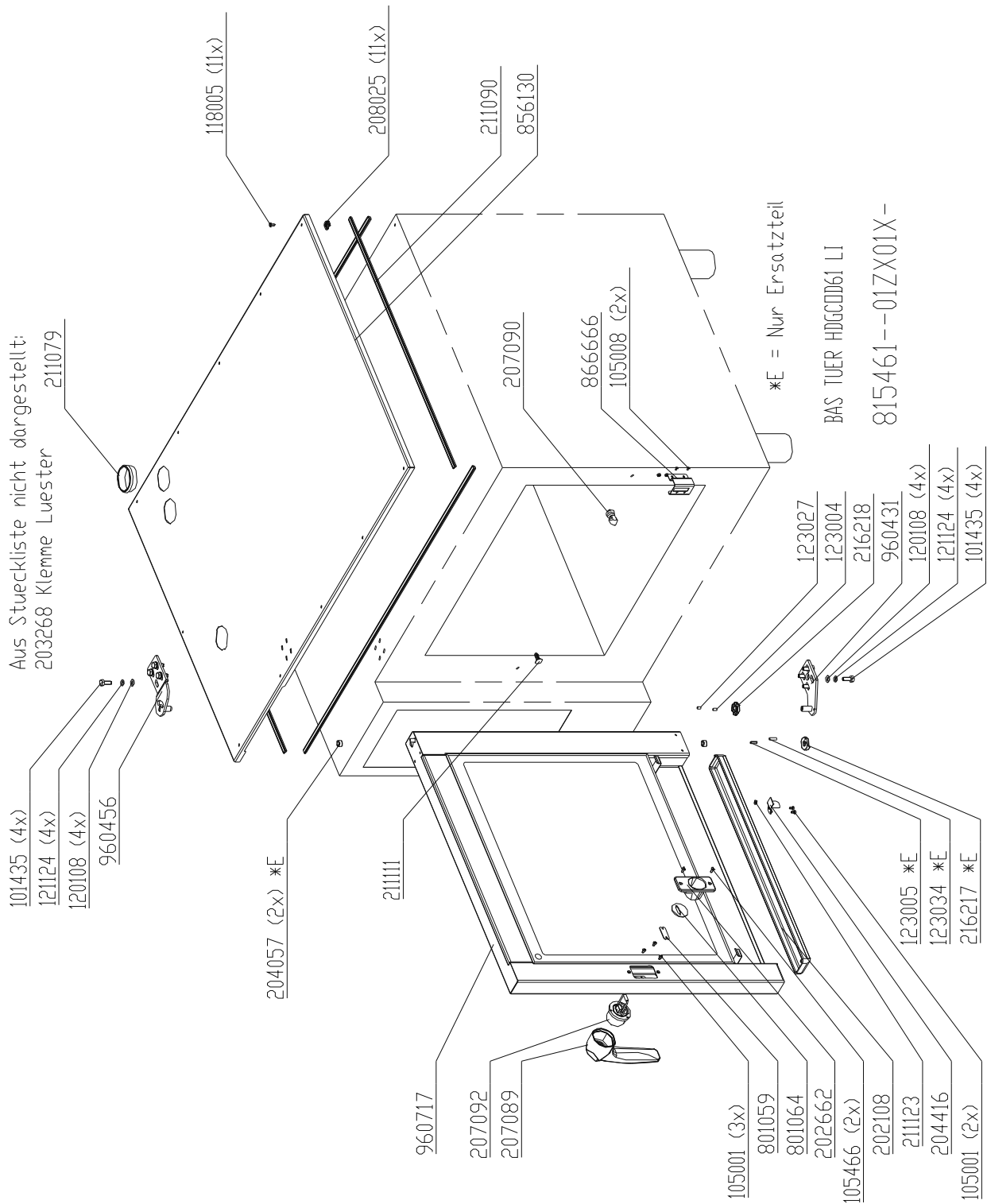
### Chassis door area HD6.x gas, right hinged (double glazing)



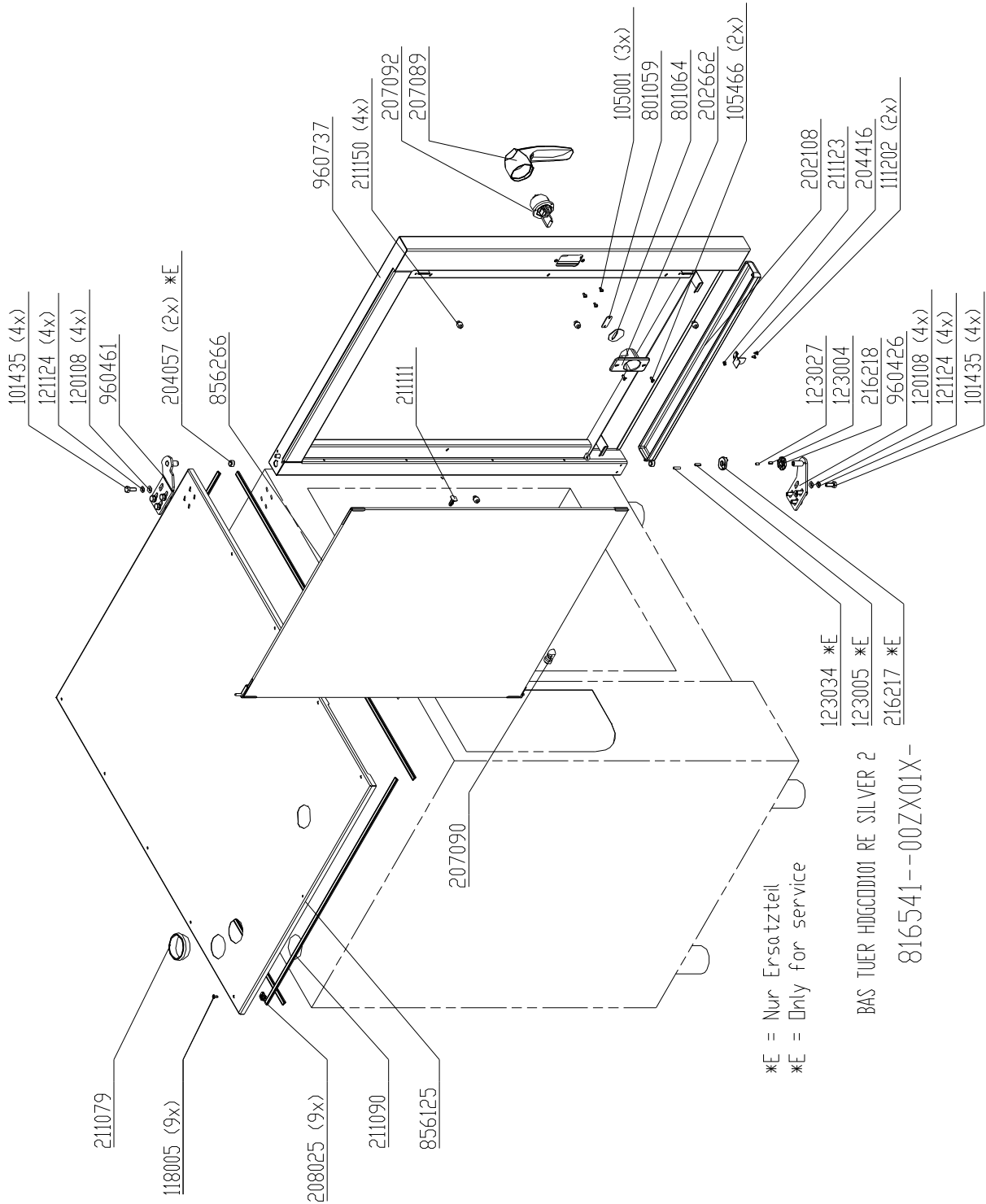
### Chassis door area HD6.x gas, right hinged (triple glazing)



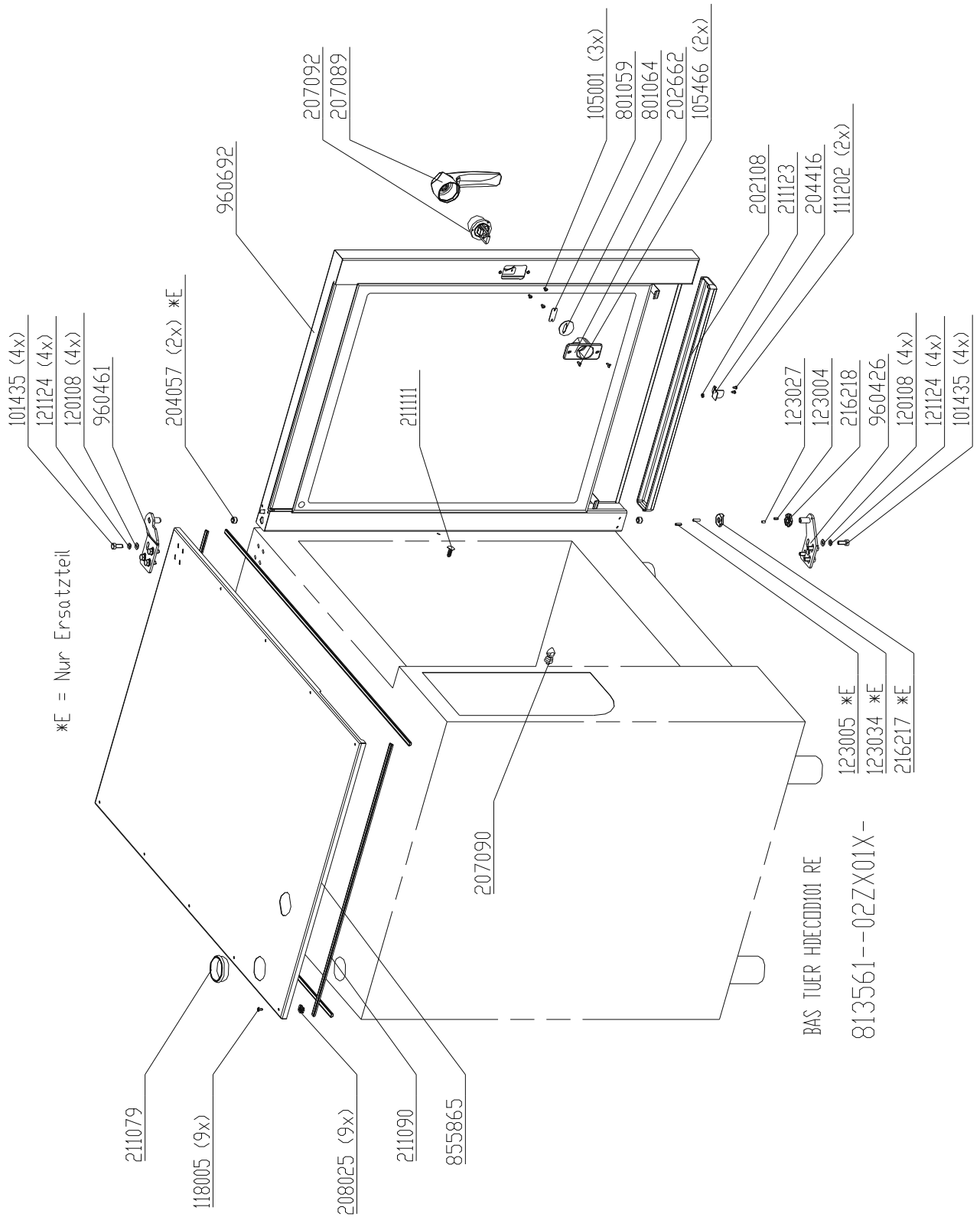
## Chassis door area HD6.x gas, left hinged (triple glazing)



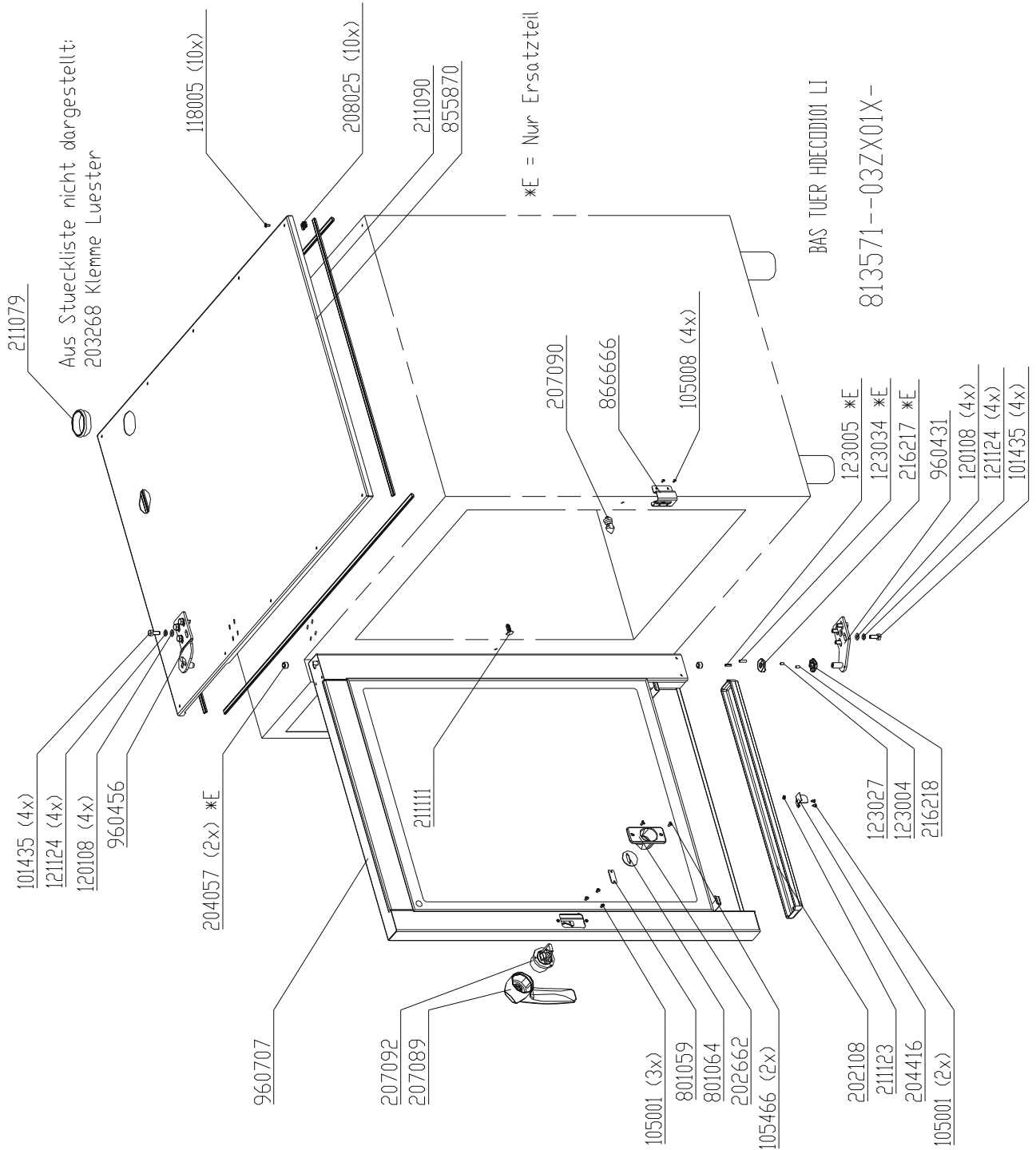
### Chassis door area HD10.x gas, right hinged (double glazing)



### Chassis door area HD10.x electric, right hinged (triple glazing)



### Chassis door area HD10.x electric, left hinged (triple glazing)

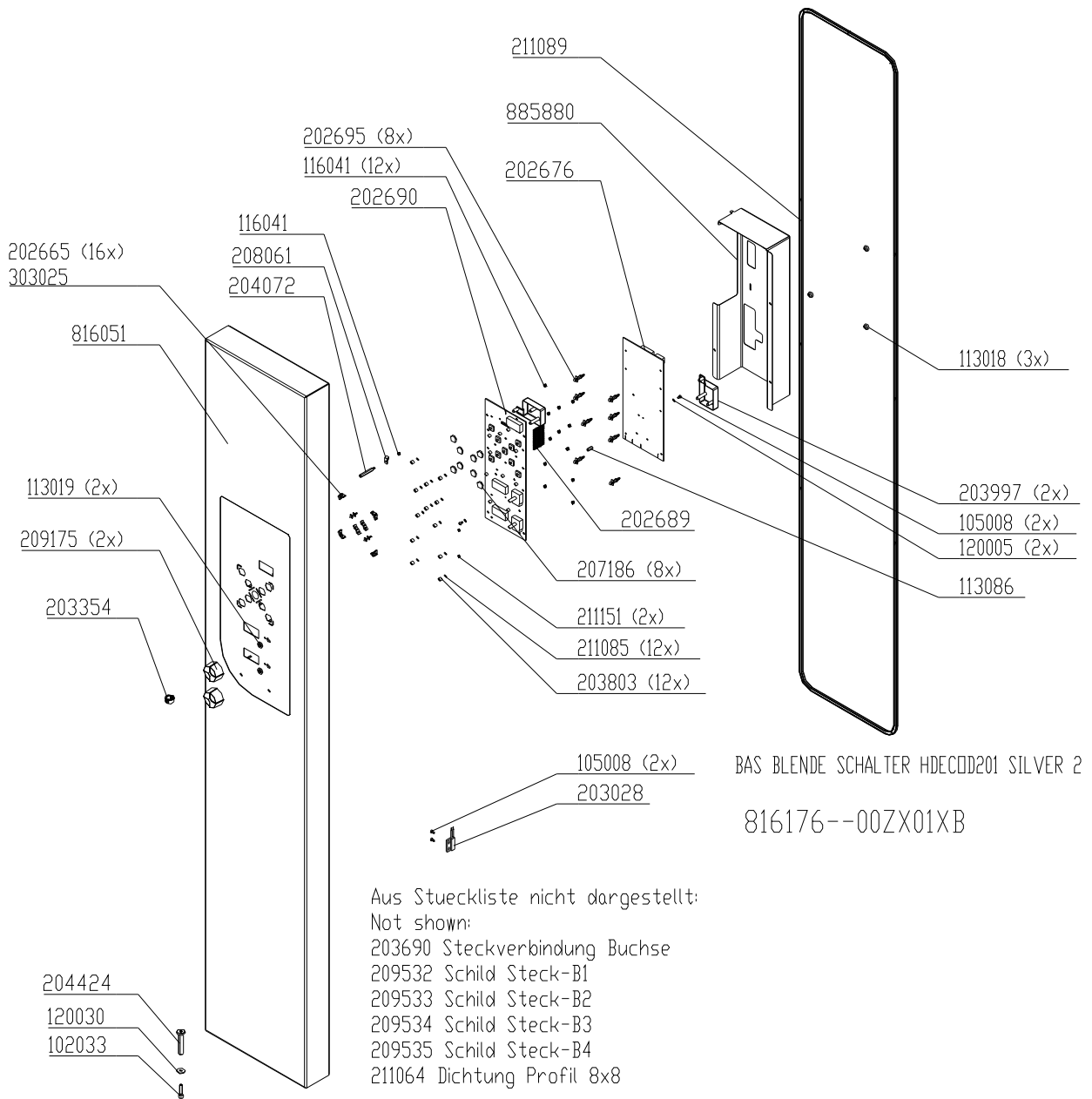


# Exploded drawings 20.x

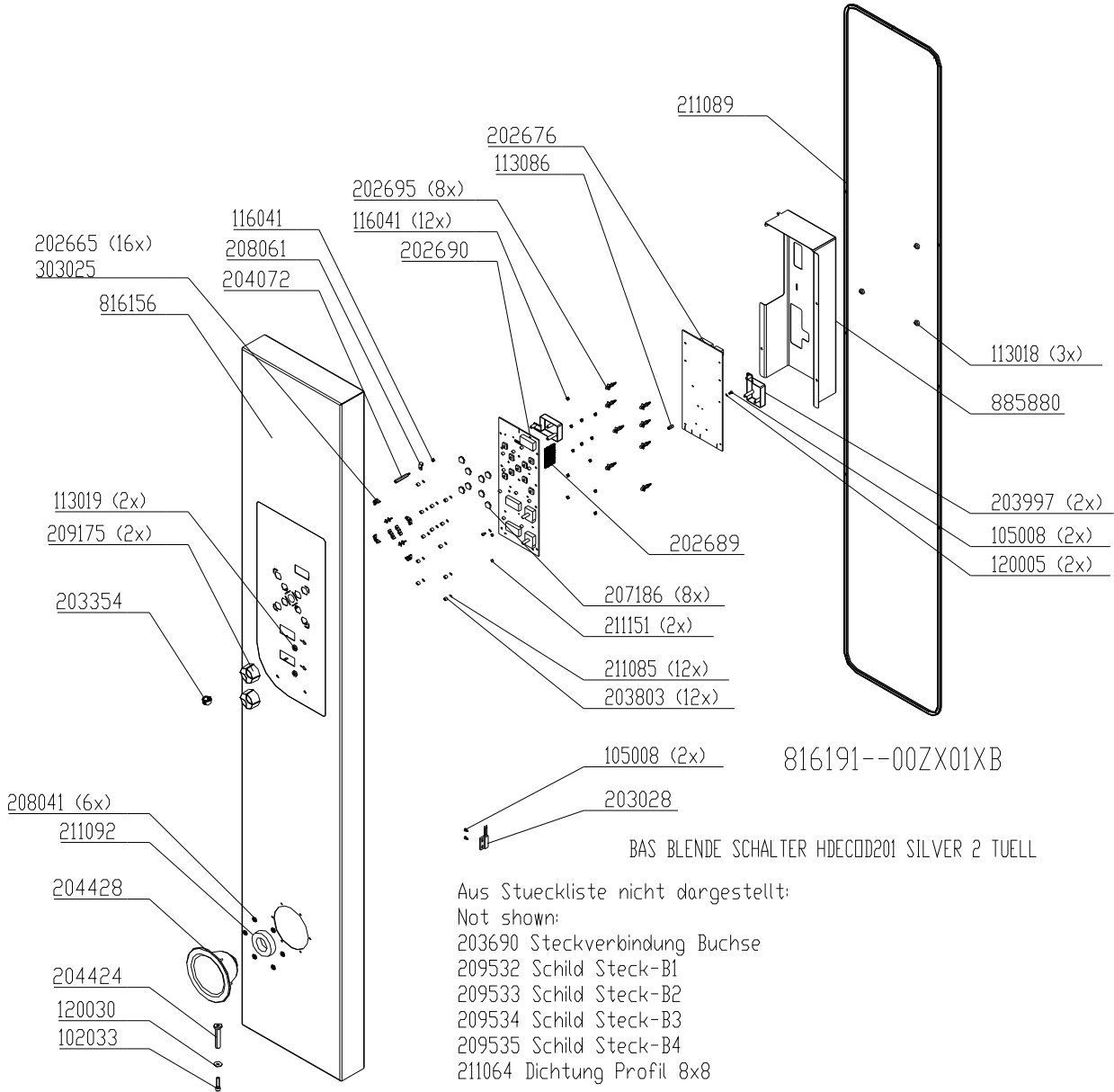
Electric & Gas



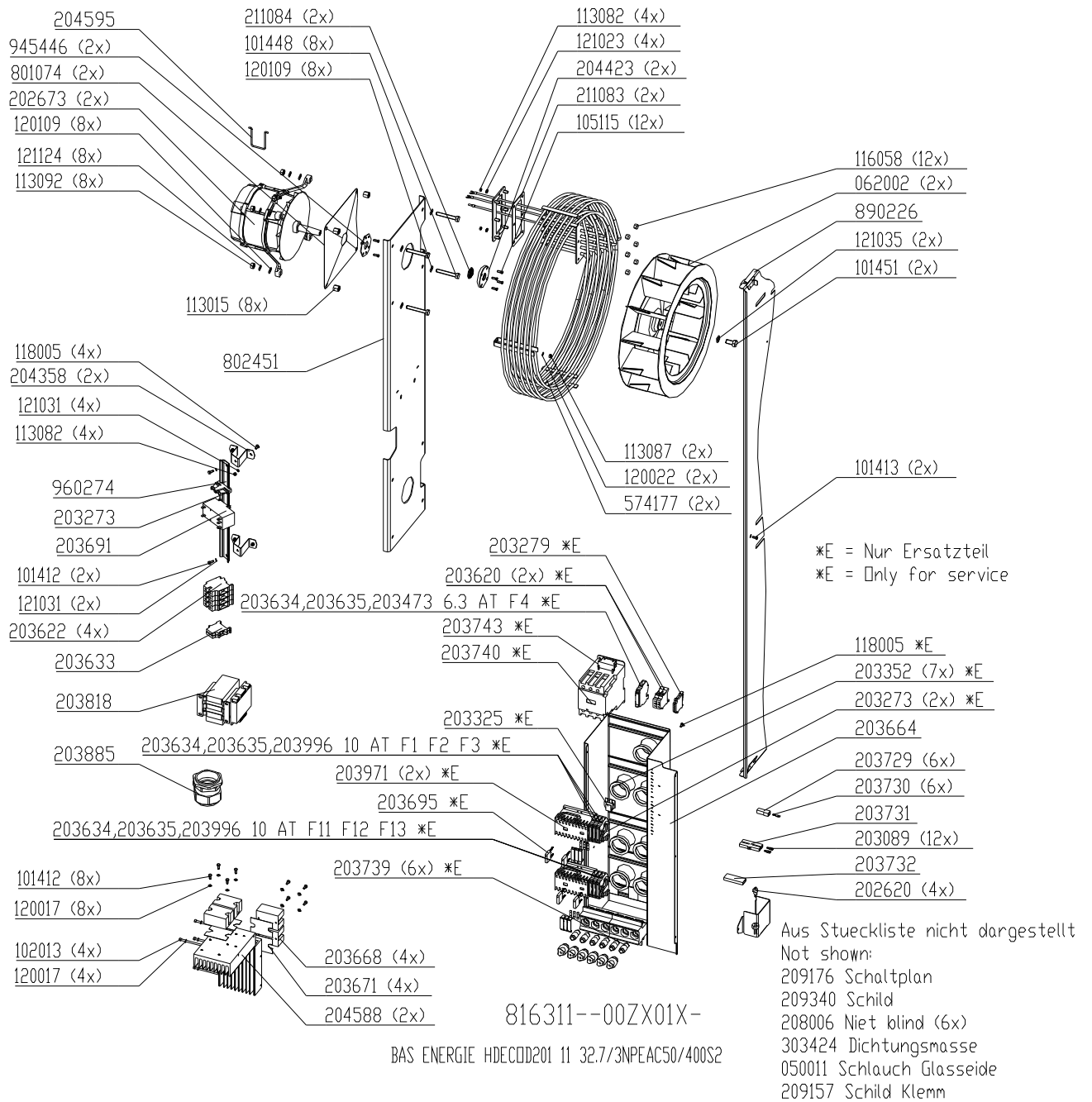
## Front panel 20.x Silver2 without hand shower



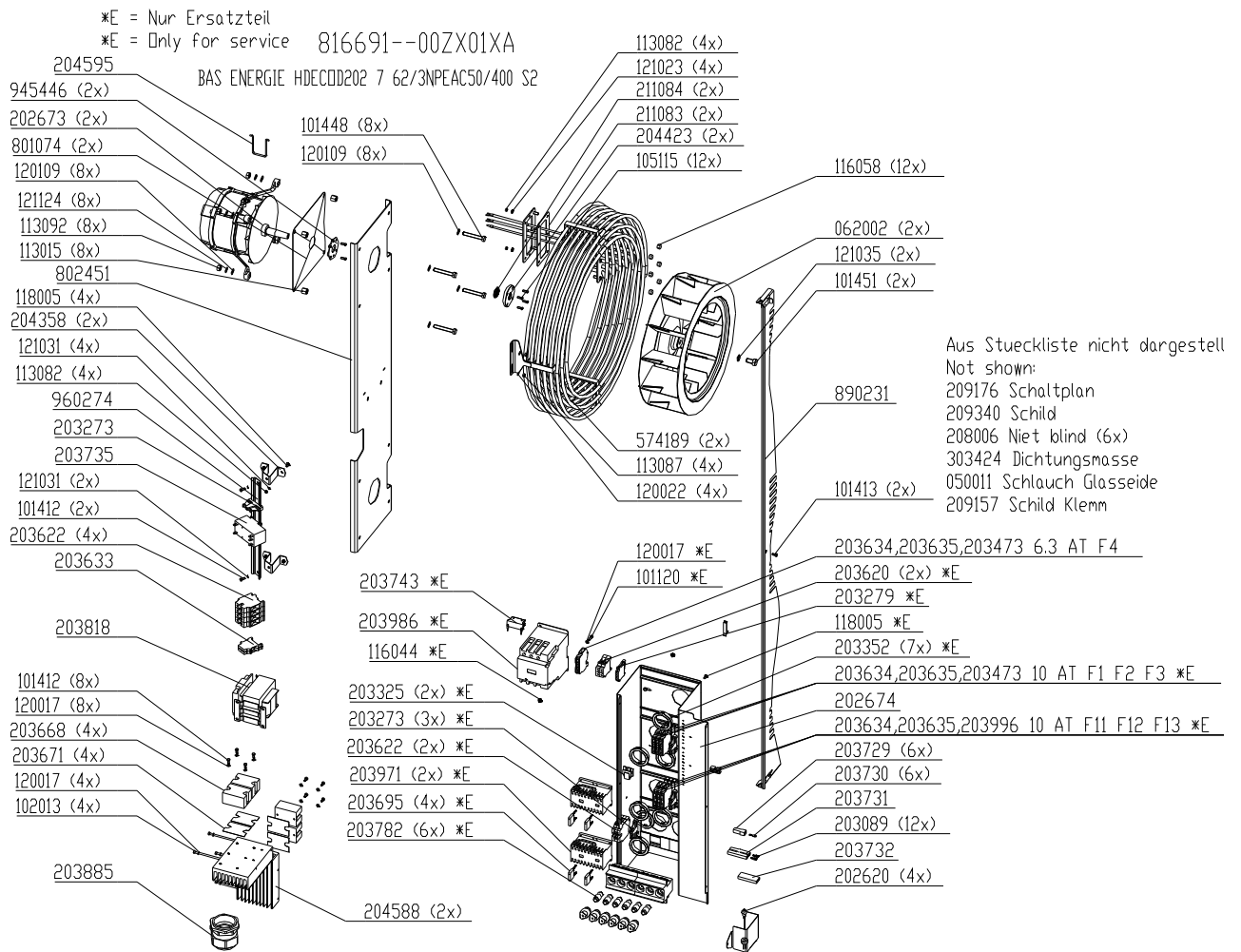
## Front panel 20.x Silver2 with hand shower



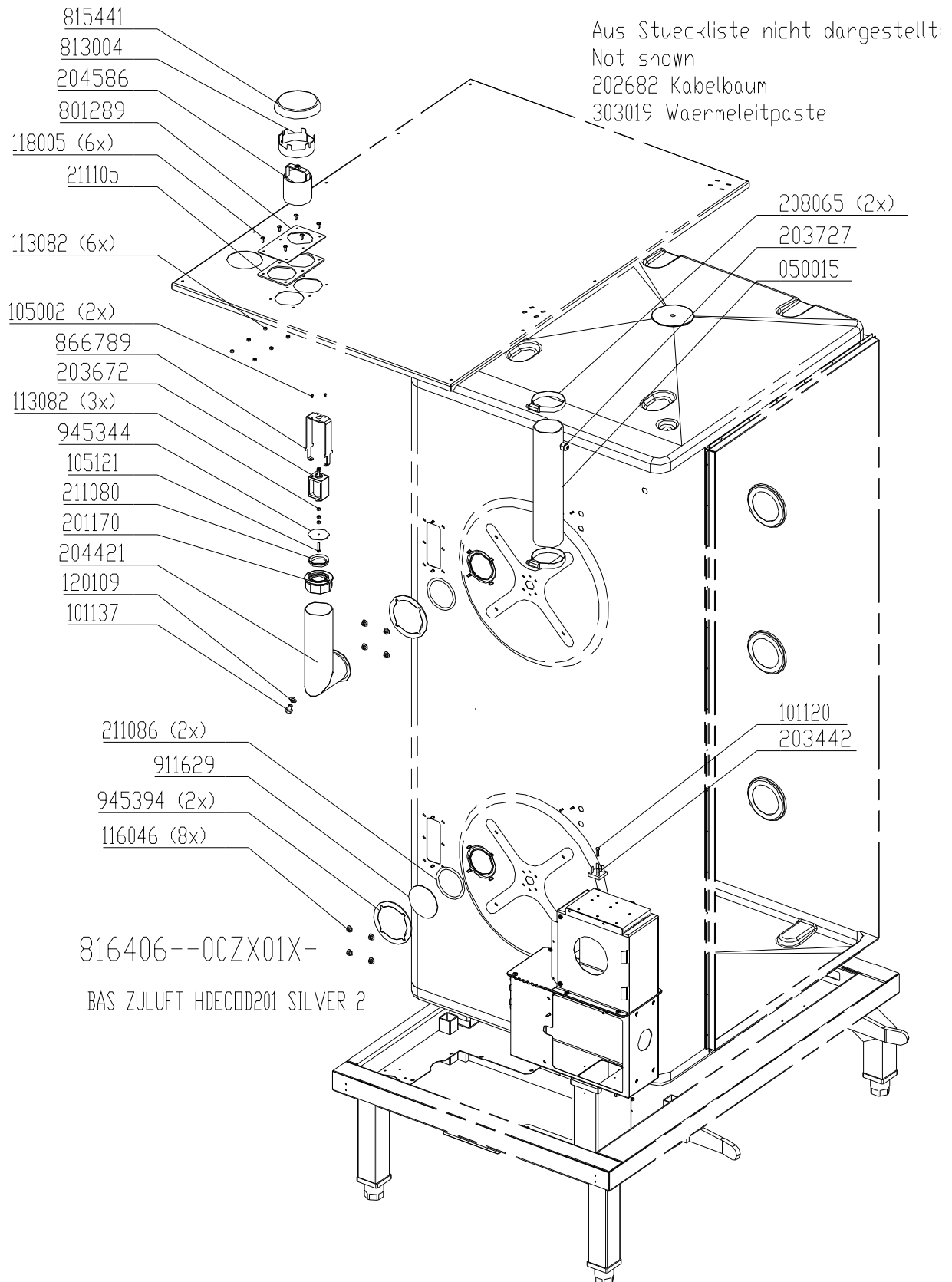
## Electric assembly 3NPE 400V HD20.1 Silver2



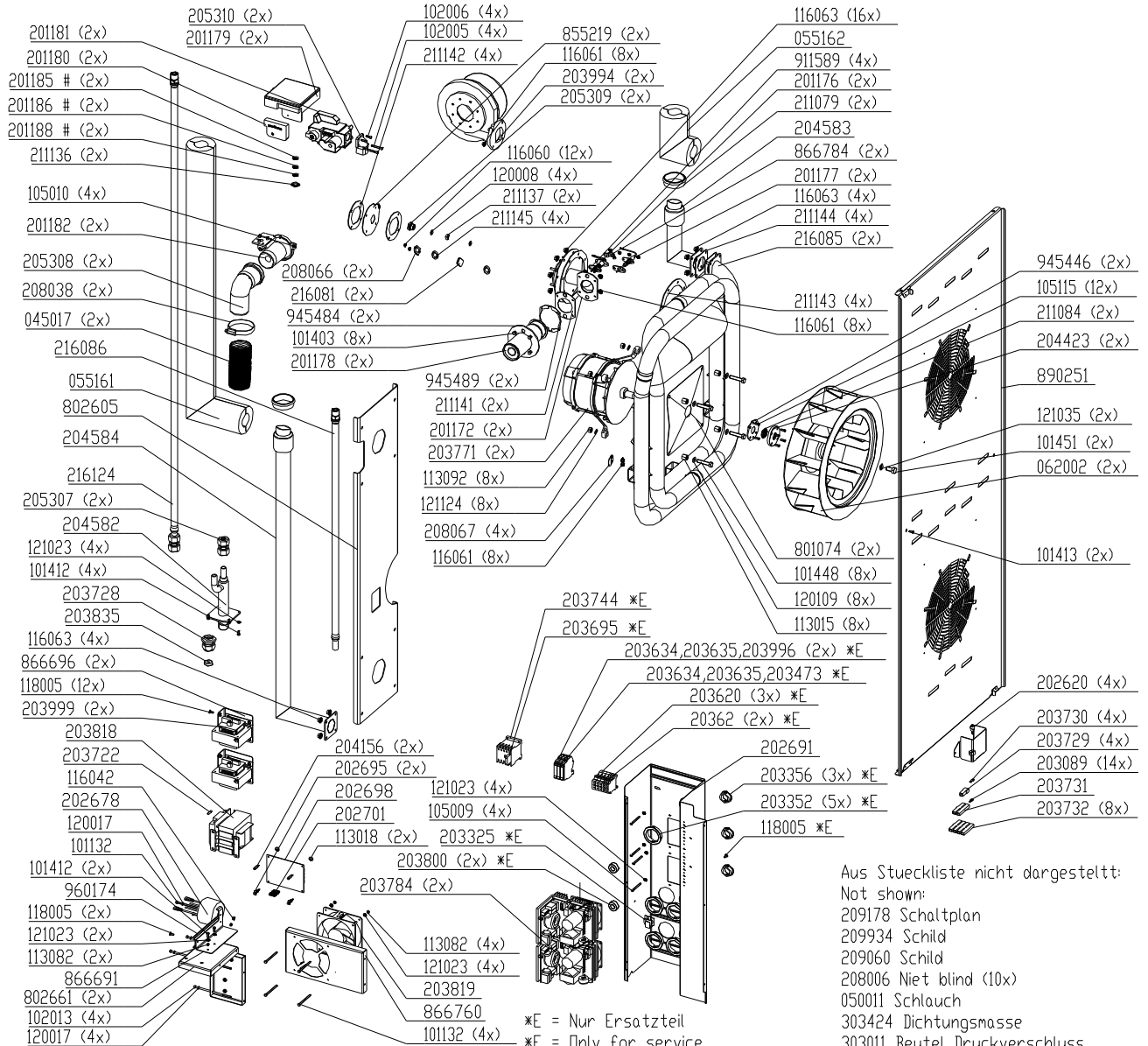
## Electric assembly 3NPE 400V HD20.2 Silver2



## Fresh air assembly 20.x Silver2



## Gas assembly HD20.1 Silver2



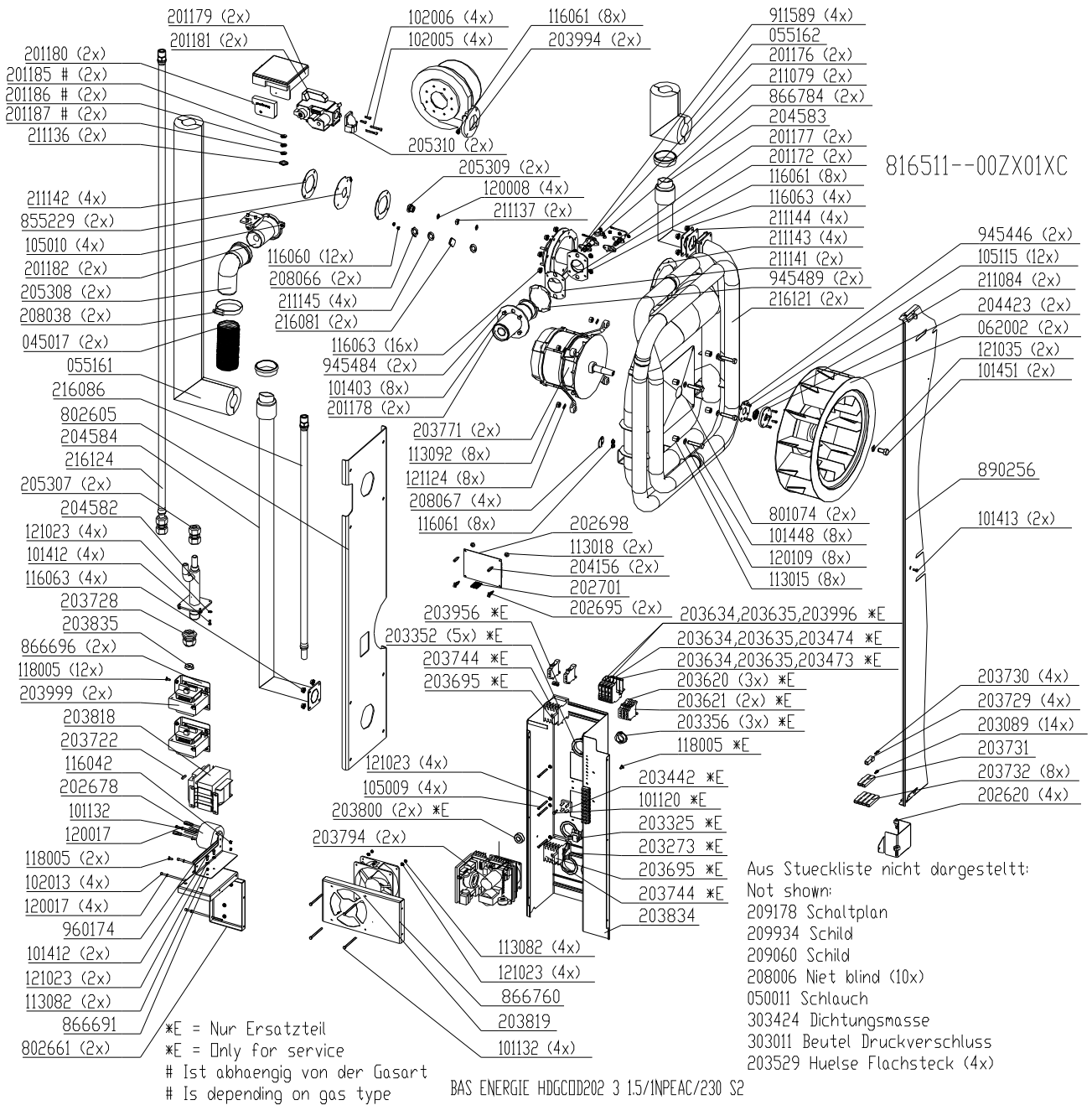
BAS ENERGIE HDGCDD201 3 1.5/INPEAC/230 S2

816496--00ZX01XC

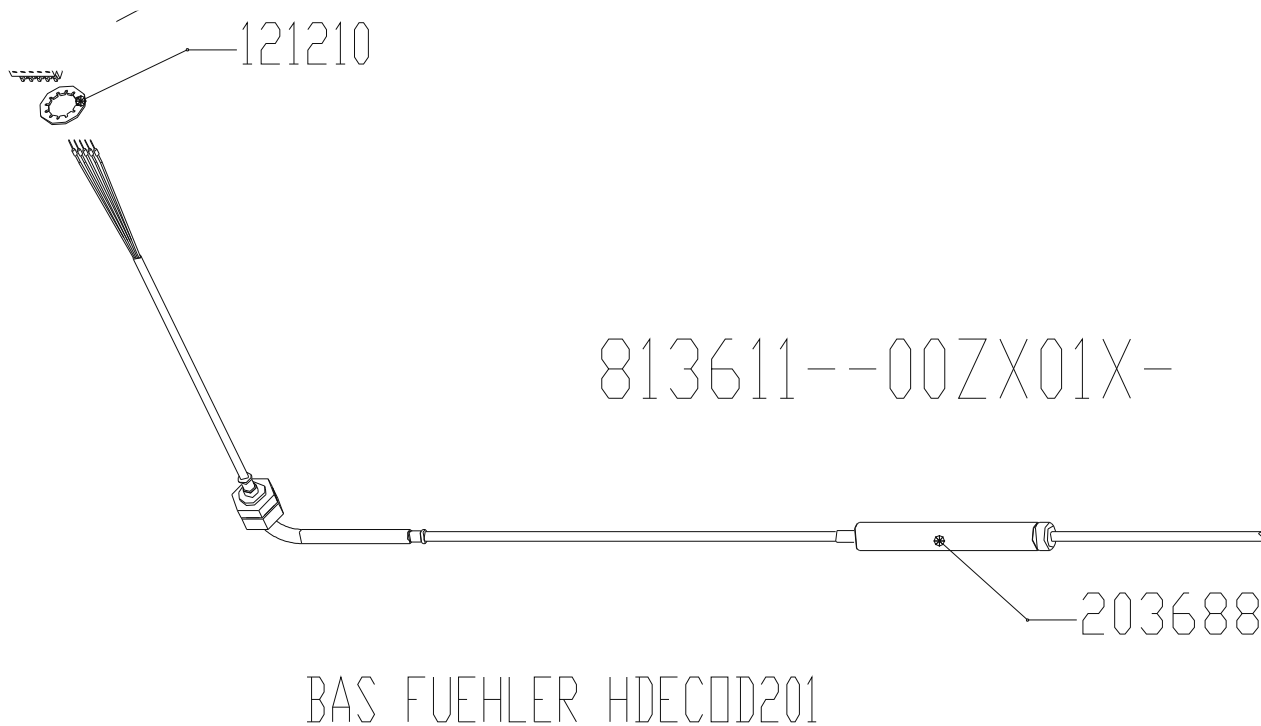
\*E = Nur Ersatzteil  
\*E = Only for service  
# Ist abhängig von der Gasart  
# Is depending on gas type

Aus Stueckliste nicht dargestellt:  
Not shown:  
209178 Schaltplan  
209934 Schild  
209060 Schild  
208006 Niet blind (10x)  
050011 Schlauch  
303424 Dichtungsmasse  
303011 Beutel Druckverschluss  
203529 Huelse Flachsteck (4x)

## Gas assembly HD20.2 Silver2

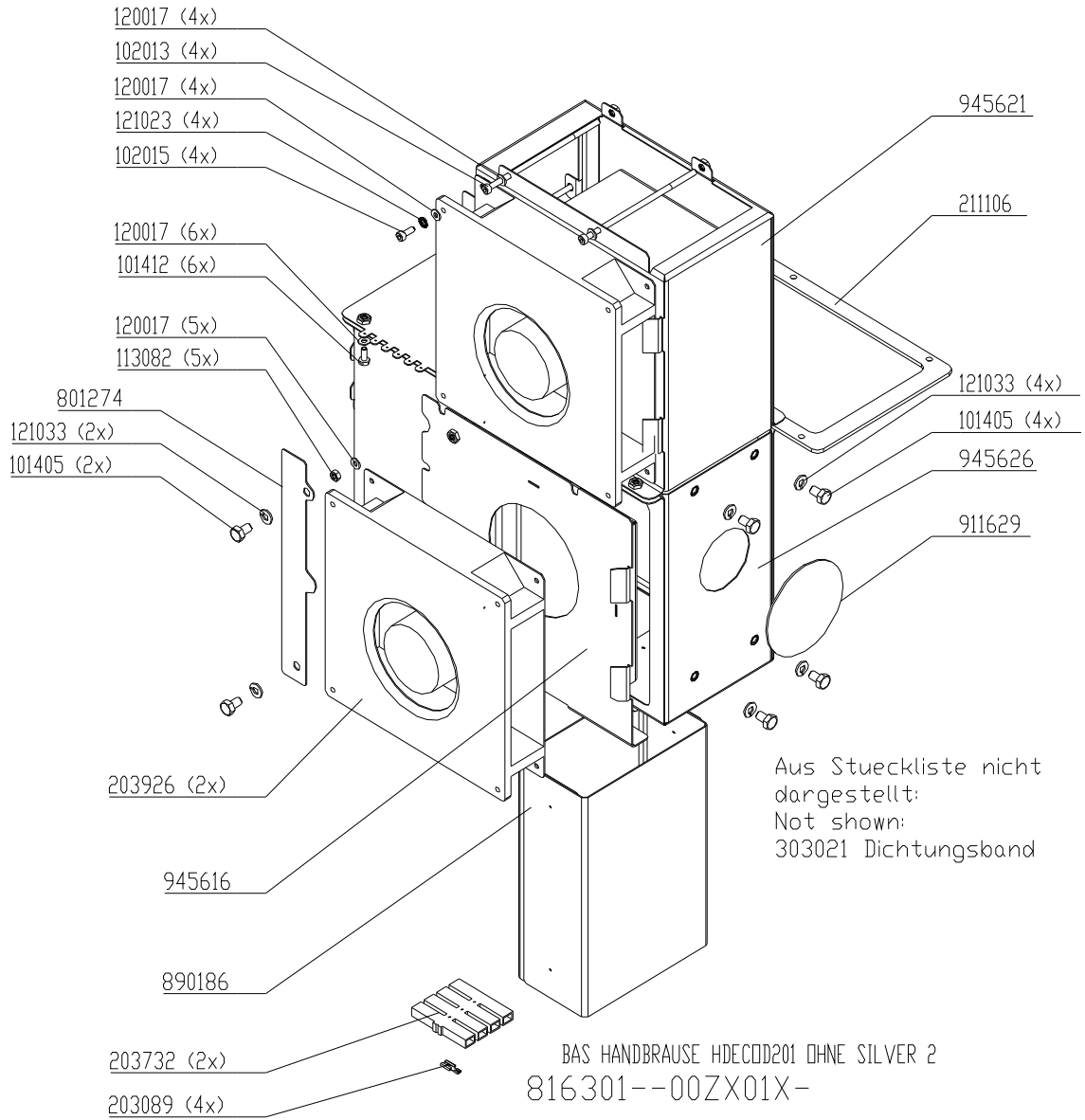


### Core temperature probe HD20.x Silver2

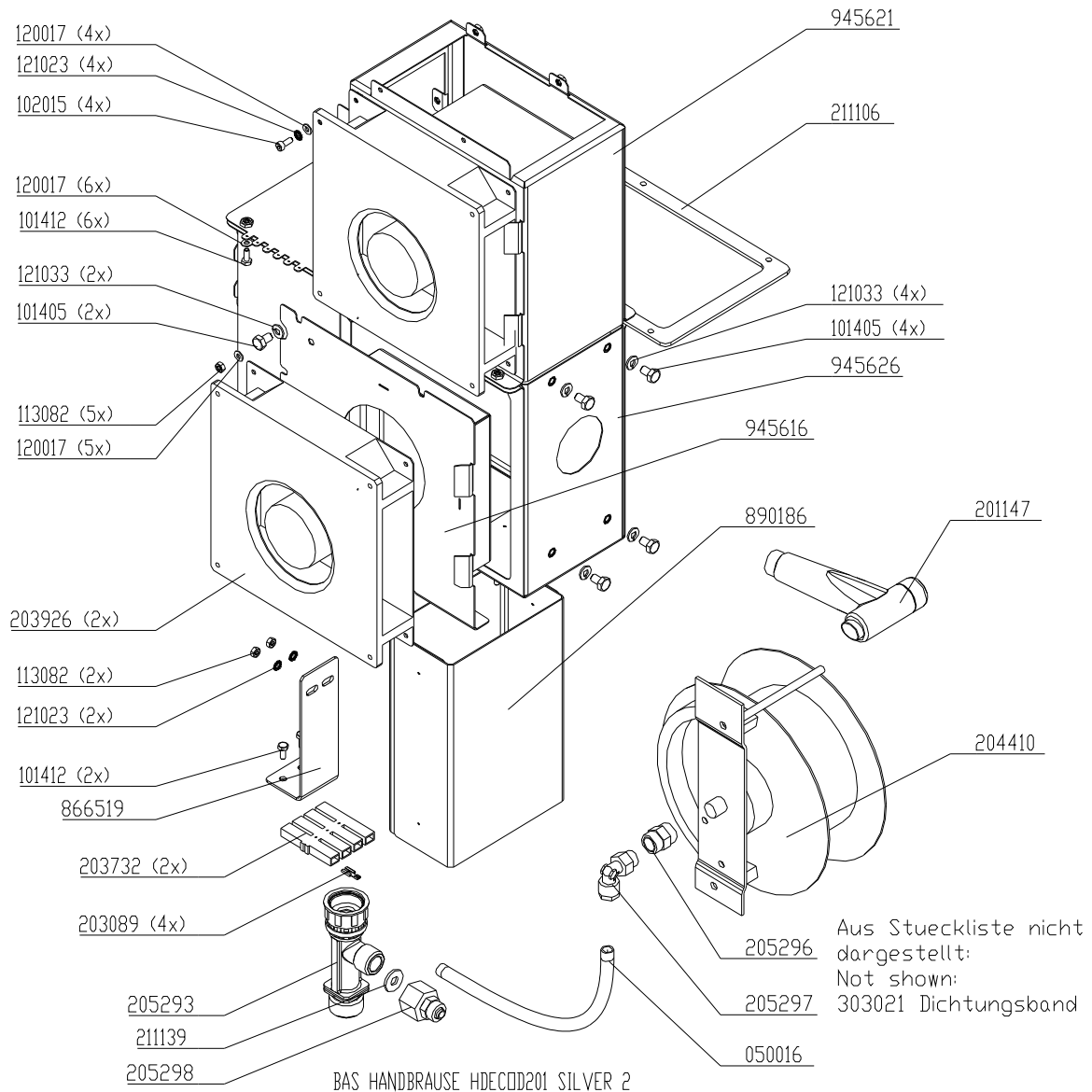




## Supply air area 20.x (without hand shower) Silver2

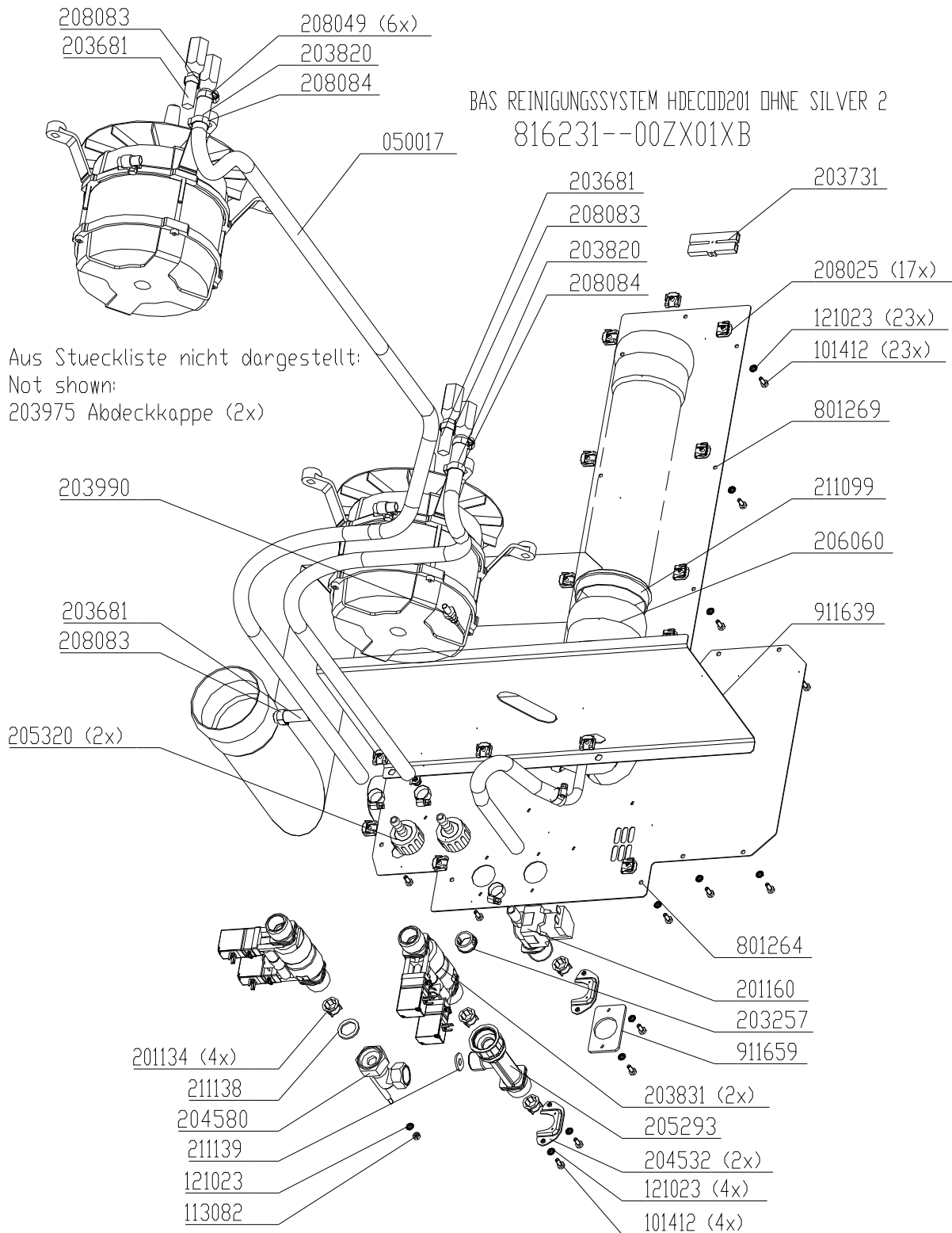


## Supply air area 20.x (with hand shower) Silver2



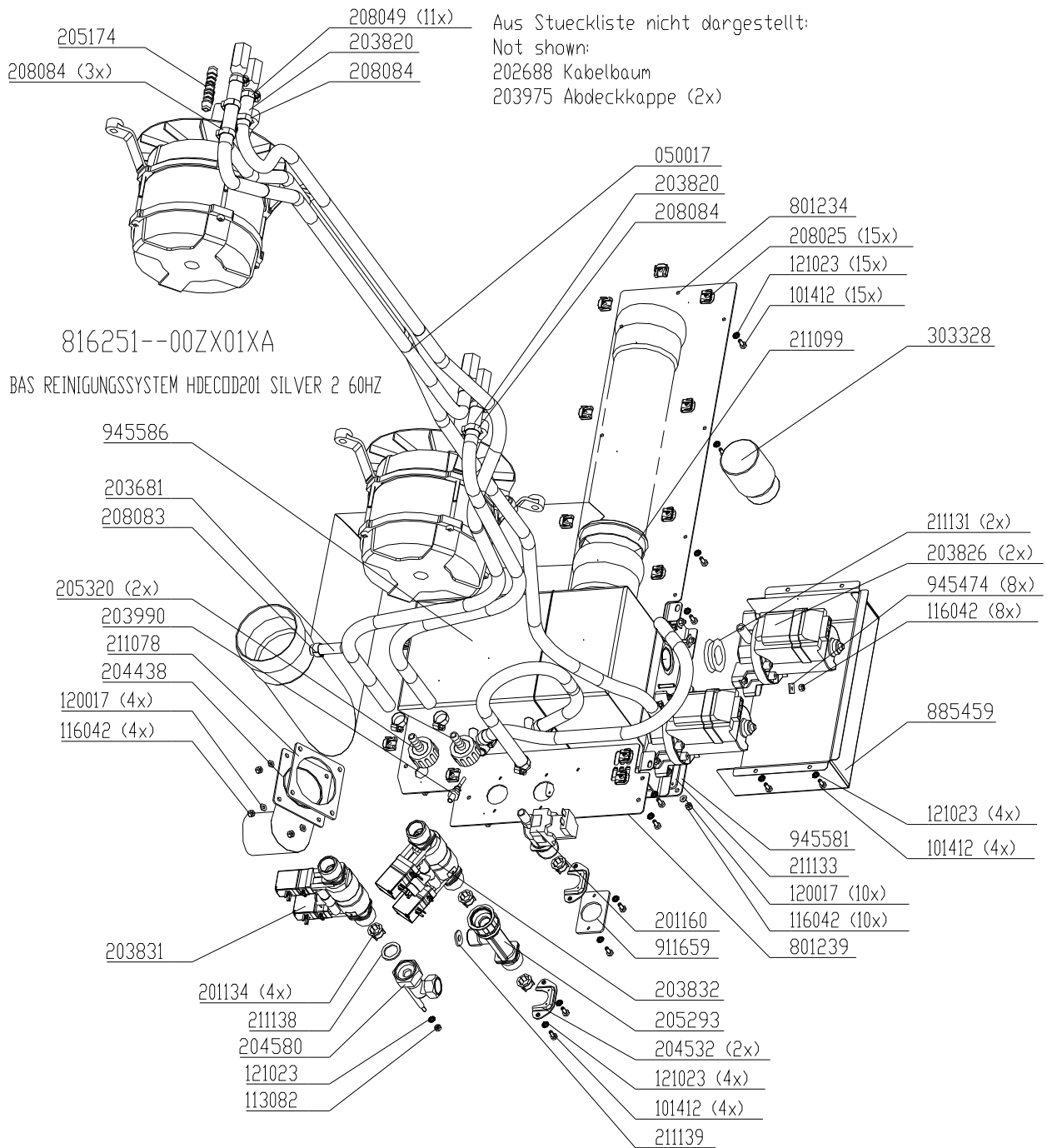
BAS HANDBRAUSE HDECDD201 SILVER 2  
 816386--00ZX01X-

## Water assembly without WaveClean HD20.x Silver2

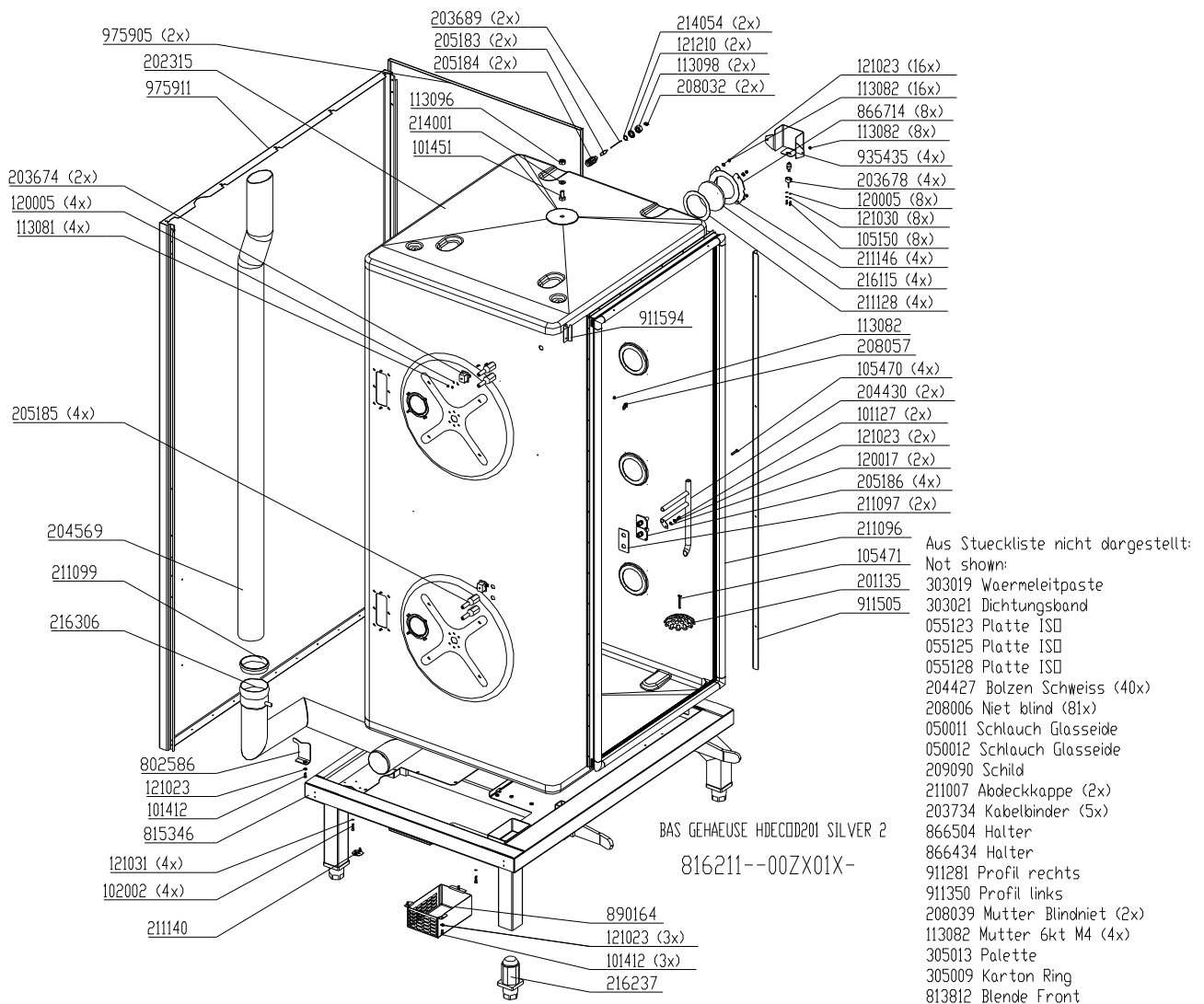




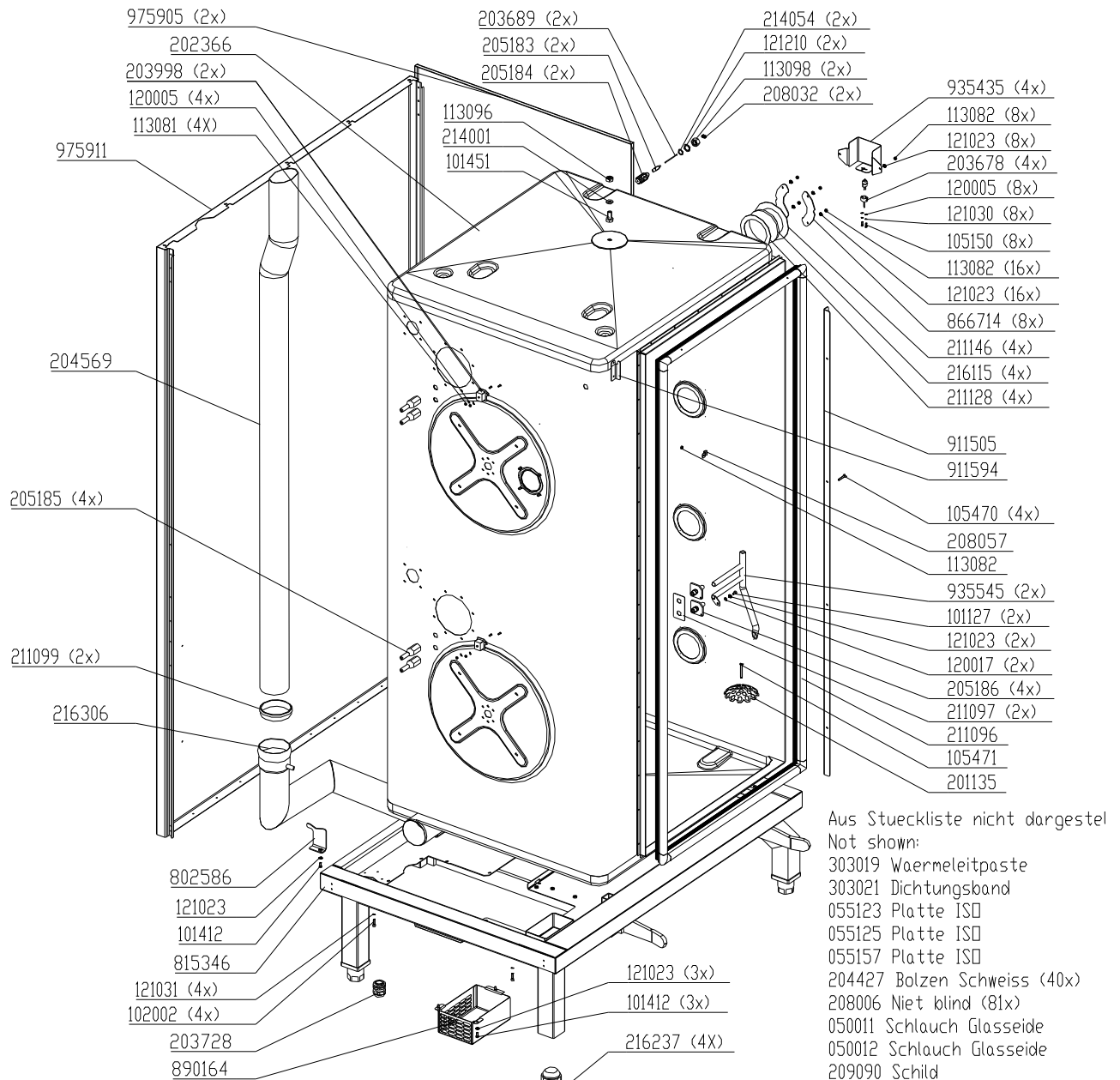
## Water assembly with WaveClean 60Hz HD20.x Silver2



## Chassis 20.x Electric Silver2



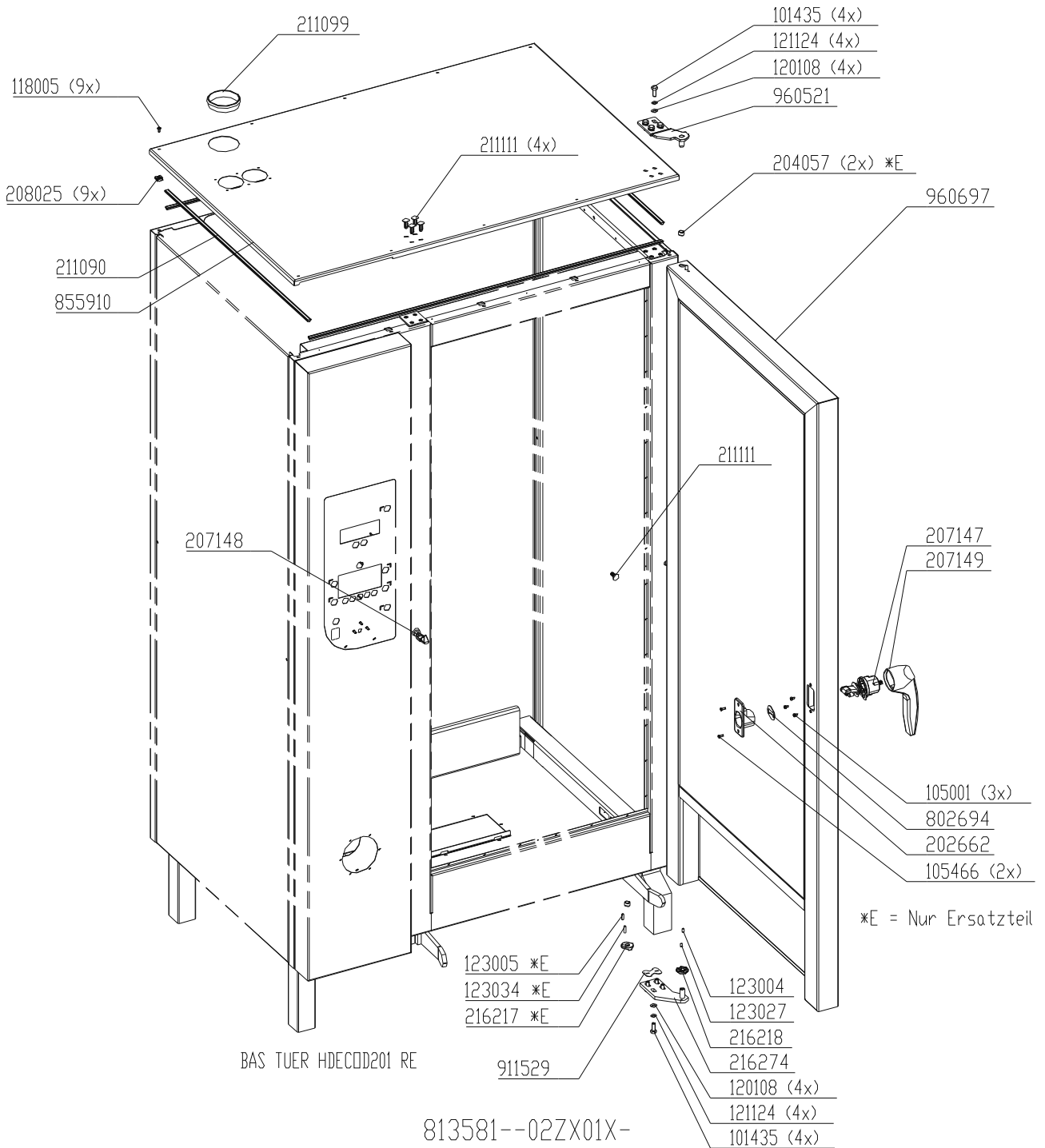
## Chassis 20.x Gas Silver2



BAS GEHAEUSE HDGCCD201 SILVER 2

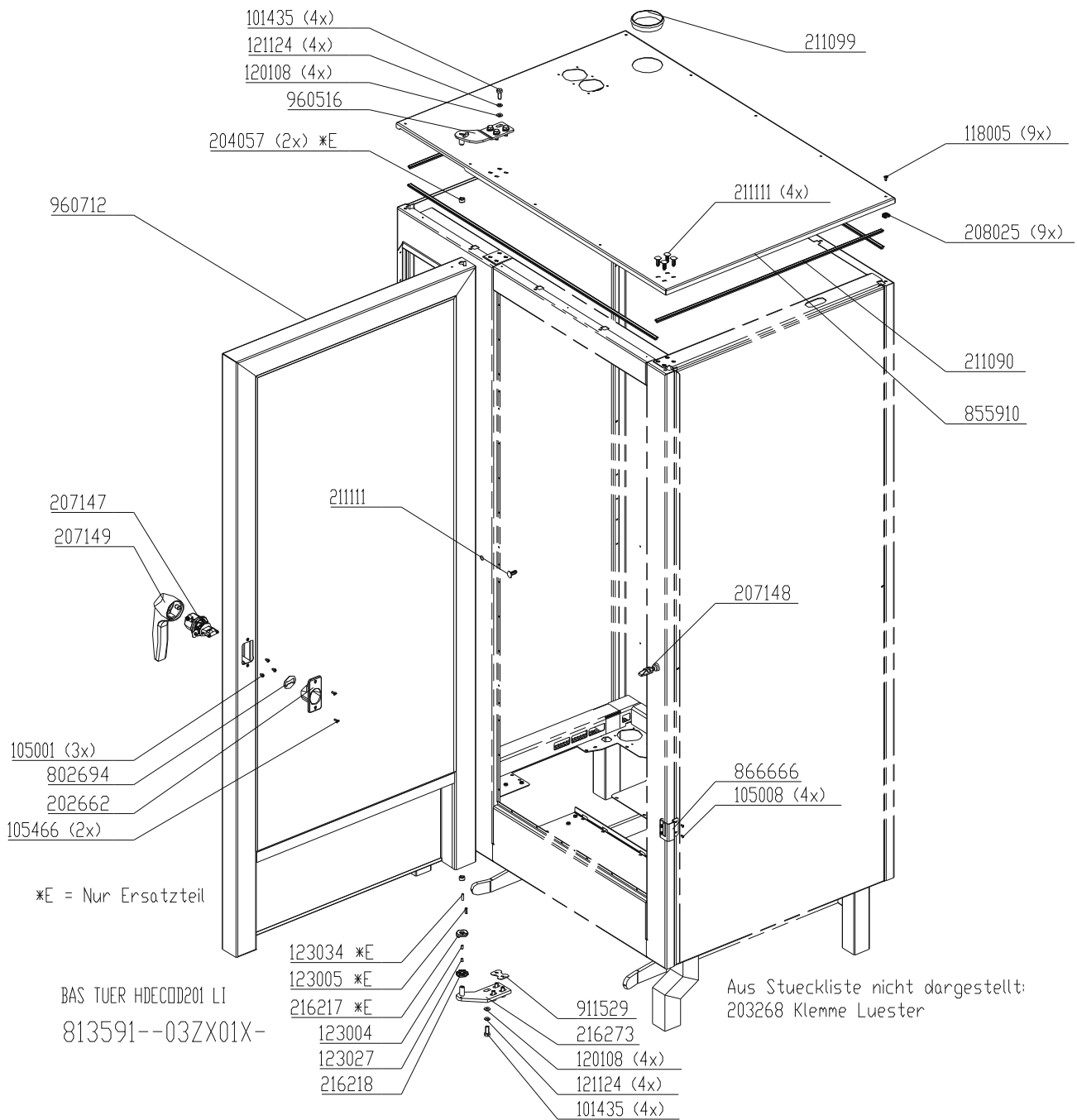
816421--00ZX01X-

### Chassis door area HD20.x electric, right hinged (triple glazing)

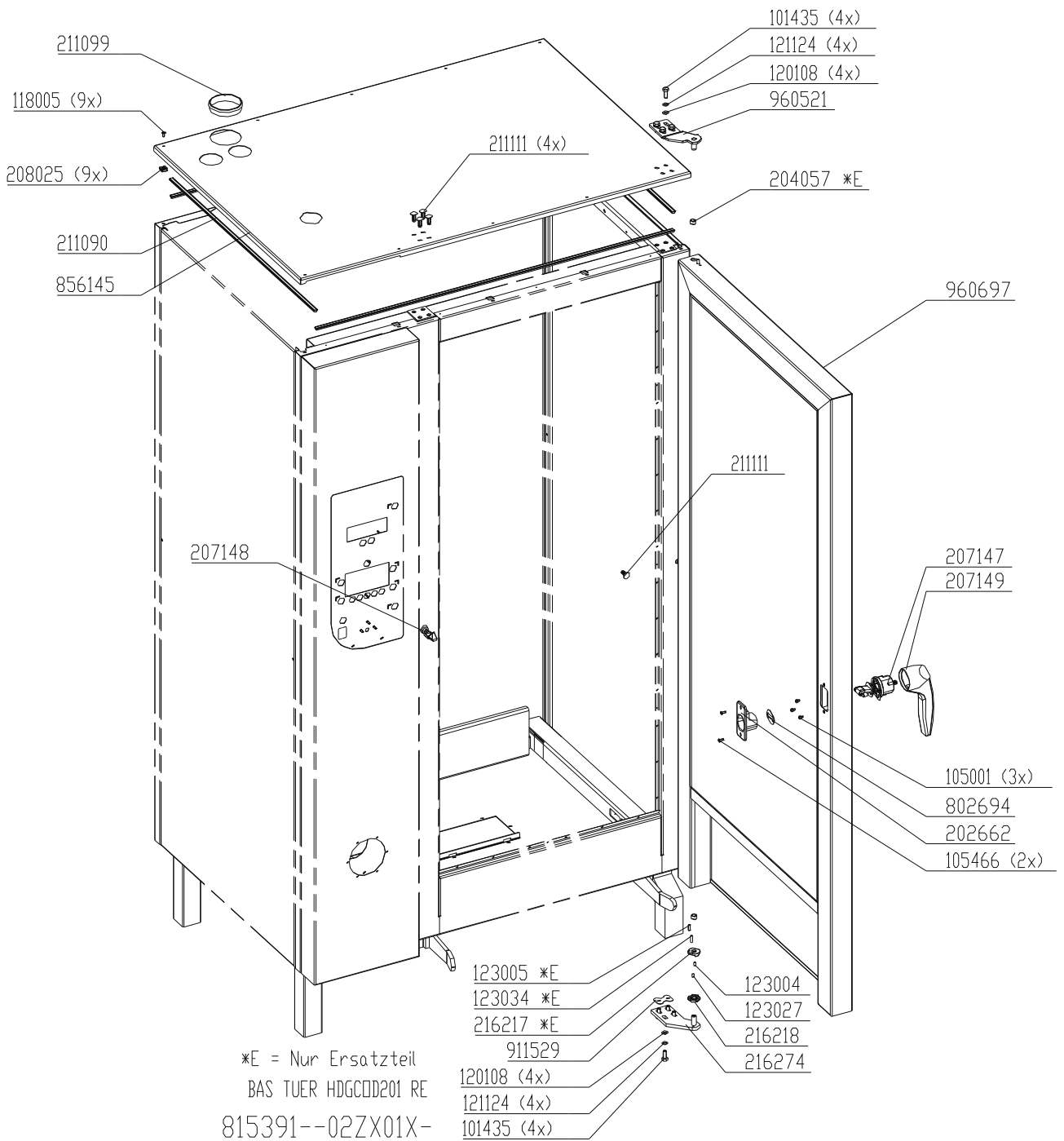




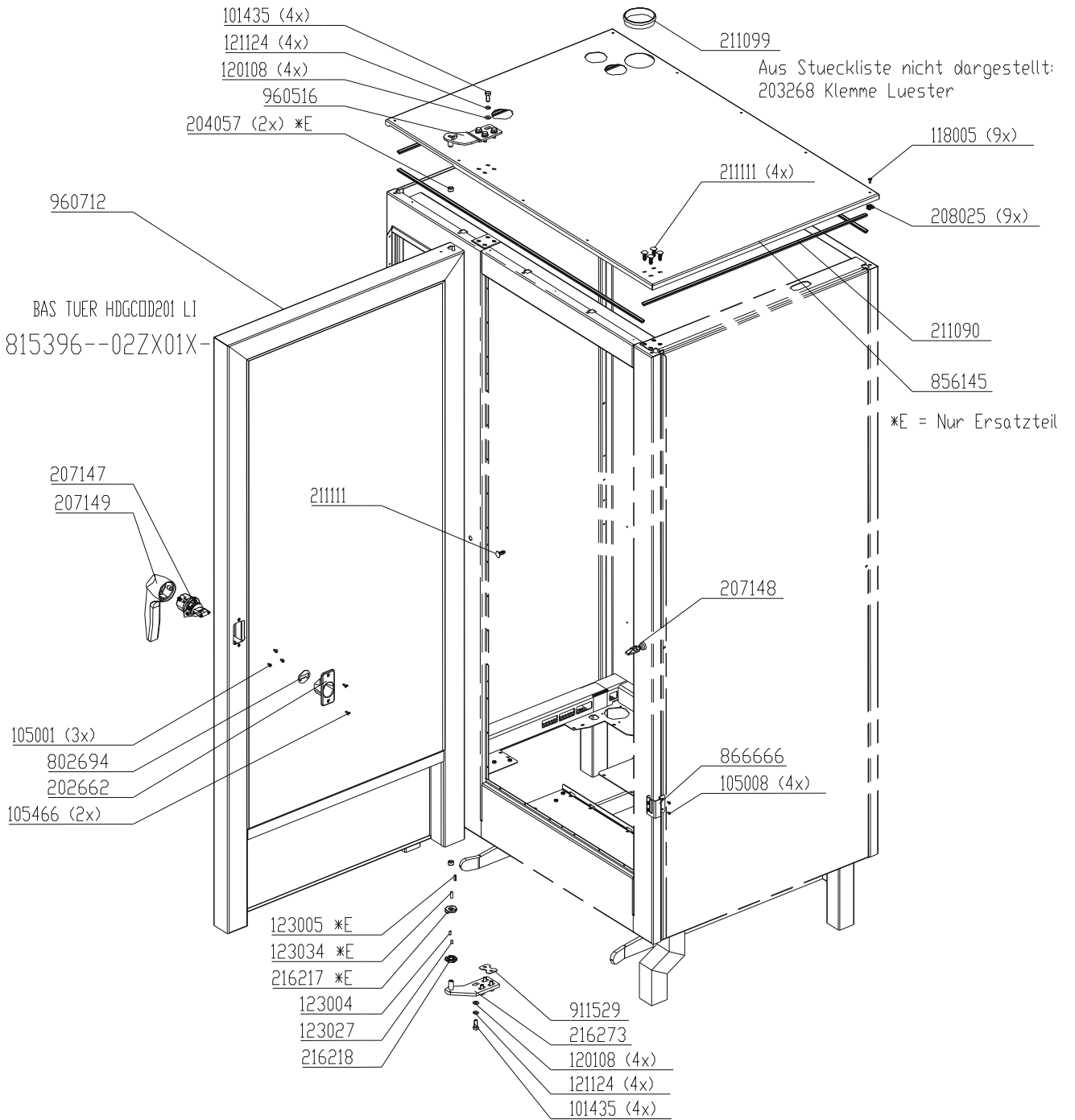
### Chassis door area HD20.x electric, left hinged (triple glazing)



### Chassis door area HD20.x gas, right hinged (triple glazing)



### Chassis door area HD20.x gas, left hinged (triple glazing)



## Ersatzteilliste / Spare part list HansDampf Silver 2

No.	Ersetzt durch replaced by	Bezeichnung	Description
033023		Datenkabel 6.x, 10.x	data cable HD6.x + HD10.x
033042		Datenkabel 20.x	data cable HD20.x
050012		Glasseidenschlauch 10 mm; 230 °C	meter fiber glass isolating tube; 10 mm; 230 °C
050015		Silikonschlauch 60 x 2 mm	silicon hose 60 x 2 mm
050016		Polyamidschlauch 8 x 1 mm	polyamide hose 8 x 1 mm
050017		Silikonschlauch 9 x 3,2 mm mit Gewebereinlage	silicon hose 9 x 3.2 mm
050024		Silikonschlauch 15 x 4,5 mm mit Gewebereinlage	silicon hose 15 x 4,5 mm
055161		Rohrisolierung Abgas 20.x	flue pipe isolation 20.x
055162		Rohrisolierung Abgas 10.x	flue pipe isolation 10.x
055164		Rohrisolierung Abgas 6.x	flue pipe isolation 6.x
055166		Bedienfolie SmartCombi	front laminate SmartCombi
062002		Lüfterrad 350 mm rund	fan wheel 350 mm
062005		Lüfterrad 280 mm rund	fan wheel 280 mm
101124		Sechskantschraube M4 x 20	hexagon screw M4 x 20
101127		Sechskantschraube M4 x 8	hexagon screw M4 x 8
101412		Sechskantschraube M4 x 10	hexagon screw M4 x 10
101413		Sechskantschraube M4 x 10, Schiffsversion	hexagon screw M4 x 10, marine version
102006		Innensechskant-Schraube M4 x 12	hexagon screw M4 x 12
105001		Linsenkopfschraube TORX M4 x 8 + Federring	raised countersunk head screw TORX M4 x 8 + spring washer
105010		Torx-Schraube M5 x 12	torx screw M5 x 12
105115		Zylinderkopfschraube M4x12 CrNi	cylinder head cap screw M4 x 12
105466		Flachkopfschraube M4 x 12	countersunk screw M4 x 12
113017		Käfigmutter M10	cage nut M10
113018		Rändelmutter M3	knurled nut M3
113081		Sechskantmutter M3	hexagon nut M3
113082		Sechskantmutter M4	hexagon nut M4
113086		Sechskantmutter M3	hexagon nut M3
113087		Sechskantmutter M5	hexagon nut M5
113088		Sechskantmutter M5	hexagon nut M5
113091		Sechskantmutter M6	hexagon nut M6
113092		Sechskantmutter M8	hexagon nut M8
113096		Sechskantmutter M10	hexagon nut M10
116058		Hutmutter M6	cap nut M6
116064		Hutmutter M10	cap nut M10
118005		Flachkopfschraube M4 x 10	countersunk screw M4 x 10
118009		Flachkopfschraube M5 x 16	countersunk screw M5 x 16
120005		Unterlegscheibe 3,2 mm	washer 3,2 mm
120007		Unterlegscheibe 12,5 mm	washer 12,5 mm
120008		Unterlegscheibe 7,4 mm	washer 7,4 mm
120017		Unterlegscheibe 4,3 mm	washer 4,3 mm
120022		Unterlegscheibe 5,3 mm	washer 5,3 mm
120027		Unterlegscheibe 6,4 mm	washer 6,4 mm
120030		Unterlegscheibe 6,4 mm	washer 6,4 mm
120108		Unterlegscheibe 8,4 mm	washer 8,4 mm
121023		Fächerscheibe 4,3 mm	serrated washer 4,3 mm
121030		Federring; 3	lock washer; 3
121031		Federring; 4	lock washer; 4
121033		Federring; 6	lock washer; 6
121035		Federring; 10	lock washer; 10
121124		Sicherungsscheibe M8	locking washer M8
121125		Sicherungsscheibe M5	locking washer M5
121210		Zahnscheibe 12,5 mm	lock washer 12,5 mm
201134		Sieb für Wasserzulauf	water inlet filter D 19,5
201135		Sieb für Garraumablauf	chamber drain sieve
201147		Handbrause	hand shower
201160		Magnetventil 3/4"; 0,3 - 10 bar	solenoid valve 0,3-10 bar 5L/min
201172		Brenneranschluß 10.x	gas burner connection 10.x
201174		Brenneranschluß 6.x	gas burner connection 6.x
201176		Glühelektrode, 24 V	glow igniter; 24 V
201177		Ionisationselektrode (Flammenüberwachung)	ionisation electrode (flame control)
201178		Brennerrohr D 49,5 - 147,8 mm	burner pipe 49,5 - 147,8 mm
201179		Zündelektronik 230 V; 50/60 Hz; 4 VA	ignition box 230 V; 50/60 Hz; 4 VA
201181		Gas-Magnetventil R1/2"-R1/2"; 10-50 mbar; 230 V	solenoid gas valve R1/2"-R1/2"; 10-50 mbar; 230 V
201182		Venturi Mischrohr	venturi mixed-tube
201185		Gasblende 420	gas orifice 420
201186		Gasblende 565	gas orifice 565
201187		Gasblende 630	gas orifice 630
201188		Gasblende 650	gas orifice 650
201188		Gasblende 630	gas orifice 630
201189		Gasblende 470	gas orifice 470
201190		Gasblende 620	gas orifice 620
201191		Gasblende 720	gas orifice 720
201194		Gasblende 460	gas orifice 460

## Ersatzteilliste / Spare part list HansDampf Silver 2

No.	Ersetzt durch replaced by	Bezeichnung	Description
201195		Gasblende 680	gas orifice 680
201202		Gasblende 700	gas orifice 700
201203		Gasblende 620	gas orifice 620
202107		Auffangwanne am Gerät	collecting tray
202108		Auffangwanne an der Tür	door-collecting tray
202600		Signalplatine der Zündelektronik	Gas signal pcb
202601		Druckschalter 2 A; 42 V; 1 bar	pressure switch
202610		Reihenklemme Schutzleiter 95 mm <sup>2</sup>	terminal block for earth lead 95 mm <sup>2</sup>
202611		Reihenklemme 95 mm <sup>2</sup>	terminal block 95 mm <sup>2</sup>
202662		Abdeckkappe Türverschuß	Cap for door lock
202722		Reedkontaktschalter 0,5 A; 240 V	reed contact switch
203028	202722	Reedkontaktschalter 0,5 A; 240 V	reed contact switch
203089		Flachsteckhülse	panel socket 6,3 A; 1,5 - 2,5 mm <sup>2</sup> **
203273		Reihenendklemme	terminal end block
203325		Summer 230V	Buzzer 230V
202726		CR2477N Lithium Batterie 3V	CR2477N Lithium battery 3V
203782		Sicherung 50A	fuse; 50A
207148		Verschlusskloben HD20.x für Comfort Türverschuß #207147	Door catch 20.x for comfort door latch #207147
203354		Schnappdurchführung LD 17,5	snap through-bearing 17,5 mm diameter **
203442		Gleichrichter 420 V; 10 A	rectifier 420 V, 10 A
203452		Schnapp-Zentriertülle für 20,4 mm Durchmesser	centre nozzle for 20,4 mm diameter
203473		Feinsicherung 6,3 A; Träge	fuse; 6,3 A T; 20 x 5 mm (slow blow)
203529		Flachsteckhülse 2,8 x 0,5 - 1	panel socket
203622		Reihenblock 35 mm <sup>2</sup>	terminal block 35 mm <sup>2</sup>
203633		Reihenblock für Schutzleiter 35 mm <sup>2</sup>	terminal block for earth lead 35 mm <sup>2</sup>
203634		Reihenblock für Feinsicherung	terminal block for fine-wire fuse
203635		Stecker für Feinsicherung 6,3 A; 250 V	plug for fine-wire fuse 6,3 A, 250 V
203667		Abdeckkappe für Türverschuß	cap for door lock
203668		Halbleiterrelais 100 A	solid state relay 100A,
203669		Halbleiterrelais 10 A	solid state relay 10A
203671		Wärmeleitfolie für Relais	thermally conductive slide for SSR
203672		Hubmagnet 205 V; 7 mm	lift magnet
203674		Begrenzer 315	safety limit switch
203675		Schuetz 32 A 230 V	Contacteur 32 A 230 V
203678		Lampenfassung	holder for halogen lighting
203679		Halogenlampe G4; 12V; 20 W	halogen lamp G4; 12V; 20 W
203681		Abdeckkappe 9,6 - 30 mm	cap 9,6 - 30 mm
203688		Kerntemperaturfühler HD20.x	core temperature control probe HD20.x
203689		Temperaturfühler	temperature probe
203693		Temparturfühler	temperature probe
203697		Kerntemperaturfühler HD 6.x - HD10.x	core temperature control probe HD 6.23 - HD10.x
203724		Abstandsrolle 6,5 x 3,3 - 10,5 mm	distancing bush
203733		Taster (CombiPilot)	push button (CombiPilot)
203739		Sicherung 35A	fuse; 35A
203743		RC-Kombination 333 NF 10 Ohm 240V	RC-combination 333NF 10Ohm 240V
203745		Tastaturplatine HD 6.1 - 20.2 Gold	keyboard pcb 6.x - 20.x gold
203747		Relaisplatine Combidämpfer	relay pcb for Combisteamer 6
203750		Kabelverschraubung M50	screwed cable gland M50
203766		Tastatur- und Relaisplatine 6.x - 20.x Gold	keyboard and relay pcb 6.x - 20.x gold
203771		Motor 240 V; frequenzgesteuert	fan motor 240V frequency controlled
203794		Frequenzumrichter 342 - 528V 3-phasig	frequency controller 342 - 528 V
203818		Steuertrafo 162 VA	transformer 162 VA
203819		Axial-Ventilator 22 W; 230 V; 120x120x38	Axial fan 230V; 120 x 120 x 38mm
203820		Abstandsrolle 9,5 x 2,5 - 15 mm	distancing bush 9.5 x 2.5
203825		Pumpe 35 l; 40 W; 230 V; 50 Hz	pump 35 l; 40 W; 230 V; 50 Hz
203826		Pumpe 35 l; 45 W; 208 - 240 V; 60 Hz	pump 35 l; 45 W; 208 - 240 V; 60 Hz
203831		Beschwadungseinheit ohne Druckschalter	water steaming unit without pressure switch
203832		Beschwadungseinheit mit Druckschalter	water steaming unit with pressure switch
203835		Reduziererring für Kabelverschraubung M25	reduction for screwed cable gland M25
203885		Kabelverschraubung M63	screwed cable gland M63
203926		Axiallüfter 20 W; 230 V; 180 x 180 mm	axial fan 20 W; 230 V; 180 x 180 mm
203985		Schuetz 50A 230 V	Contacteur 50A 230 V
203986		Schuetz 125 A, 230 V	Contacteur 125A, 230V
203990		Temperaturfühler	temperature probe
203991		Temperaturfühler	temperature probe
203994		Gasbläse 50/60 Hz; 100 W; 230 V	gas blower 50/60 Hz; 100 W; 230 V
203996		Feinsicherung 10 A; Träge	fuse 10 AT, 20 x 5 mm (slow blow)
203997		Abdeckkappe für Platine	cap for electronic pcb
203998	203674	Begrenzer 285 °C	Safety limit switch 285 °C
203999		Steuertrafo 52,8 VA	transformer 52,8V A
204072		Sechskantbolzen; M3; 35 mm lang	bolt 6KT; M3; 1/A; 35 mm
204410		Schlauchaufroller inkl. Schlauch	tube carrier incl. Tube
204416		Wannenverschuß	closing clip for tray

## Ersatzteilliste / Spare part list HansDampf Silver 2

No.	Ersetzt durch replaced by	Bezeichnung	Description
204428		Tülle für Schlauchbrause	spout for shower
204430		Wasserzulaufrohr HD6.x - HD20.x	water supply pipe HD6.x - HD20.x
204532		Halter für Magnetventil	mounting plate for solenoid valve
204561		Gerätefuß	adjustable foot
204591		Rohranschluß 3/4" 20.x	pipe connection 3/4" 20.x
204592		Rohranschluß 3/4" 6.x 10.x	pipe connection 3/4" 6.x 10.x
205174		T-Stück 10 x 10 x 10 mm	T-piece 10 x 10 x 10
205183		Fühlerverschraubung	probe screwing
205184		Fühlerverschraubung	probe screwing
205185		Übergangsmuffe M12A - 7 A	sleeve M12A - 7 A
205186		Übergangsmuffe M12A - 10 A	sleeve M12A - 10 A
205293		Verteilerstück 2 x 3/4"; 1/2"	distributor 2 x 3/4"; 1/2"
205297		Schlauchverschraubung 1/4" außen; Winkel	hose fitting bracket
205308		Bogen für Ansaugstutzen DN 50	bow for intake fitting
207089		Türgriff	door handle
207090		Verschlusskloben; 1 Raste	door catch; one notch
207091		Verschlusskloben; 2 Ratsen	safety door catch; two notches
207092		Türverschluß HD6.x - HD10.x	door latch 6.x - 10.x
207094		Türverschluß HD20.x	door latch 20.x
207147		Comfort Türverschluss 20.x	Comfort door latch 20.x
207149		Türgriff HansDampf 20.x für Comfort Türverschluß #207147	Door handle 20.x for comfort door latch #207147
208025		Schnappmutter M4	snap nut M4
208057		Spannschelle 6 mm	clip for probe LD6; lapped in
208066		Halter für Brennerschauglas	holder for burner glas
208083		Schlauchschnelle 11,5 - 14 mm	hose clip 11,5 - 14 mm
208084		Schlauchschnelle 14,8 - 18 mm	hose clip 14,8 - 18 mm
209532		Steckschild B1 für Temperaturfühler	label B1 for probe
209533		Steckschild B2 für Temperaturfühler	label B2 for probe
209534		Steckschild B3 für Temperaturfühler	label B3 for probe
209535		Steckschild B4 für Temperaturfühler	label B4 for probe
209536		Steckschild B5 für Temperaturfühler	label B5 for probe
211007		Gleiter-Abdeckkappe 40 x 40 mm	cap 40 x 40 mm
211035		Abdeckkappe 16 mm Durchmesser	cover 16 mm diameter **
211040		Abdeckkappe 11 mm Durchmesser	cover 11 mm diameter **
211064		Profildichtung 8x8	profile gasket 8x8
211078		Flachdichtung 73 x 73 - 3 mm	flat seal 73 x 73 -3mm
211079		Ringdichtung für Rohr DN 50	ring seal for DN50
211080		Ringdichtung 34 x 42 - 7,5 mm	ring seal 34 x 42 - 7,5 mm
211083		Flachdichtung für Rohrheizkörper HD6.x -HD20.x	gasket for heating element HD6.x - HD20.x
211084		Wellendichtung für Motor HD6.x - HD20.x	ring seal for motor shaft HD6.x - HD20.x
211085		O-Ring 3 x 2 mm	sealing ring 3 x 2mm
211086		O-Ring 65 x 5 mm	sealing ring 65 x 5mm
211087		Profildichtung für Schalterblende; HD 6.x	profil gasket for front panel 6.x
211088		Profildichtung für Schalterblende; HD 10.x	profil gasket for front panel 10.x
211089		Profildichtung für Schalterblende; HD 20.x	profil gasket for front panel 20.x
211092		Flachringdichtung 32,5 x 56 - 13 mm	flar ting seal 32,5 x 56 - 13 mm
211094		Türdichtung HD 6.x	door gasket 6.x
211095		Türdichtung HD 10.x	door gasket 10.x
211096		Türdichtung HD 20.x	door gasket 20.x
211097		Flachdichtung 70 x 35 - 1	flat seal 70 x 35 - 1
211099		Ringdichtung für Rohr DN 70	ring seal for DN70 pipe
211104		Profildichtung für Garraumtür 20.x	profile gasket for door 20.x
211105		Flachdichtung 78 x 138 - 3 mm	flat seal 78 x 138 - 3 mm
211106		Flachdichtung 138 x 314 - 3 mm	flat seal 138 x 314 - 3 mm
211121		Profildichtung für Blende 8 x 8 - 530 mm; HD Junior	profil gasket HD6.23
211123		Ringdichtung 5 x 9 - 3,7 mm	ring seal 5 x 9 - 3,7 mm
211128		Flachringdichtung 71 x 94 - 1 mm	flat ring seal 71 x 94 -1 mm
211129		Flachdichtung 121 x 148 - 3 mm	flat seal 121 x 148 -3 mm
211131		Flachringdichtung 24 x 34 -10 mm	flat ring seal 24 x 34 -10 mm
211133		Flachdichtung 141 x 169 - 3 mm	flat seal 141 x 169 -3 mm
211136		Ringdichtung 15,5 x 24 - 3 mm	ring seal 15,5 x 24 - 3 mm
211137		Scheibendichtung 15 - 5 mm	ring seal 15 - 5 mm
211138		Flachringdichtung 17,5 x 24 - 2 mm	flat ring seal 17,5 x 24 - 2 mm
211139		Flachringdichtung 8 x 19 - 2 mm	flat ring seal 8 x 19 - 2 mm
211140		Schnapp-Abdeckkappe LD 22 - 25,5 mm	cap LD 22 - 25,5 mm
211141		Flachdichtung 62 x 82 - 1,5 mm	flat ring seal 62 x 82 - 1,5 mm
211142		Flachringdichtung 52 x 82 - 1,5 mm	flat ring seal 52 x 82 - 1,5 mm
211143		Flachringdichtung 114,5 x 150 - 1,5 mm	flat ring seal 114,5 x 150 - 1,5 mm
211144		Flachdichtung 63,7 x 63,7 - 1,5 mm	flat ring seal 63,7 x 63,7 - 1,5 mm
211145		Flachdichtung 19 x 43 - 1,5 mm	flat seal 19 x 43 - 1,5 mm
211146		Flachringdichtung 71 x 105 - 1 mm	flat ring seal 71 x 105 - 1 mm
214001		Flachringdichtung 10 x 18,5 - 2 mm	flat ring seal 10 x 18,5 - 2 mm
214054		Flachringdichtung 12 x 16 - 1 mm	flat ring seal 12 x 16 mm
216081		Glasscheibe für Brenner 19 x 29 mm	glass plate for gas burner

## Ersatzteilliste / Spare part list HansDampf Silver 2

No.	Ersetzt durch replaced by	Bezeichnung	Description
216085		Wärmetauscher Gas HD10.1, HD20.1	heat exchanger 10.1, 20.1 gas
216086		Gasschlauch 10.x	gas hose 10.x
216115		Glasscheibe; 60 mm; HD6.x - HD20.x	glas panel 60mm HD6.x - HD20.x
216117		Wärmetauscher 6.x, 10.x (Wasser)	heat exchanger 6.x 10.x electric
216120		Wärmetauscher 20.x (Wasser)	heat exchanger 20.x (water)
216121		Wärmetauscher Gas HD10.2, HD20.2	heat exchanger 10.2, 20.2 gas
216124		Gasschlauch 20.x	gas hose 20.x
216125		Wärmetauscher Gas HD6.x	heat exchanger 6.x gas
216127		Gasschlauch 6.x	gas hose 6.x
216131		Druckfeder	pressure spring
216218		Türrastvorrichtung unten; HD6.x - HD10.x	door extension arm, down HD6.x - HD10.x
216237		Vierkant Fuss 48	foot insert square-end 48
216273		Türscharnier 20.x, links unten	door hinge 20.x, downstairs left
216274		Türscharnier 20.x, rechts unten	door hinge 20.x downstairs right
216301		Platte für Türrastung HansDampf Schiff	plate for door extension arm, marine version
303021		Dichtungsband 8 x 8 mm; 2000 mm lang	sealing belt 8 x 8 mm; 2000 mm long
574013		Rohrheizkörper 6,6 kW; 230 V	heating element 6,6 kW; 230 V
574024		Rohrheizkörper 6,6 kW; 254 V	heating element 6,6 kW; 254 V
574176		Rohrheizkörper 9,9 kW, 400 V; mit Litze	heating element 9,9 kW; 400 V; with cables
574177		Rohrheizkörper 15,4 kW, 400 V; mit Litze	heating element 15,4 kW; 400 V; with cables
574181		Rohrheizkörper 20,4 kW, 400 V; mit Litze	heating element 20,4 kW; 400 V; with cables
574182		Rohrheizkörper 20,4 kW, 440 V; mit Litze	heating element 20,4 kW; 440 V; with cables
574183		Rohrheizkörper 15,3 kW, 440 V; mit Litze	heating element 15,3 kW; 440 V; with cables
574184		Rohrheizkörper 15,6 kW, 208 V; mit Litze	heating element 15,6 kW; 208 V; with cables
574186		Rohrheizkörper 9,9 kW, 440 V; mit Litze	heating element 9,9 kW; 440 V; with cables
574187		Rohrheizkörper 9,9 kW, 208 V; mit Litze	heating element 9,9 kW; 208 V; with cables
574188		Rohrheizkörper 9,9 kW, 230 V; mit Litze	heating element 9,9 kW; 230 V; with cables
574189		Rohrheizkörper 30 kW, 400 V; mit Litze	heating element 30 kW; 400 V; with cables
574190		Rohrheizkörper 30 kW, 440 V; mit Litze	heating element 30 kW; 440 V; with cables
856251		Innentür HansDampf 6.x	Inner door for Combisteamer 6.x
856266		Innentür HansDampf 10.x	Inner door for Combisteamer 10.x
810844		Belüfterdeckel 20.x	Ventilation cap 20.x
813386		Schalterblende Combidämpfer 6.x	front panel combisteamer 6.x
813396		Schalterblende Combidämpfer 10.x	front panel combisteamer 10.x
813771		Schalterblende Combidämpfer 20.x	front panel combisteamer 20.x
816151		Schalterblende HD 10.x; Silver 2; Tülle	Front panel 10.x; for Silver 2
816156		Schalterblende HD 20.x; Silver 2; Tülle	Front panel 20.x; for Silver 2
855219		Gasblende 250 D92	gas orifice 250 D92
855224		Gasblende 200 D92	gas orifice 200 D92
855229		Gasblende 280 D92	gas orifice 280 D92
855234		Gasblende 300 D92	gas orifice 300 D92
855865		Gehäusedeckel 6.x, 10.x, Elektro, Rechtsanschlag	Housing cover 6.x, 10.x electric, right hinged
855870		Gehäusedeckel 6.x, 10.x, Elektro, Linksanschlag	Housing cover 6.x, 10.x electric, left hinged
855910		Gehäusedeckel 20.x, Elektro, Rechtsanschlag	Housing cover 20.x electric, right hinged
856125		Gehäusedeckel 20.x, Elektro, Linksanschlag	Housing cover 20.x electric, left hinged
856130		Gehäusedeckel 6.x, 10.x, Gas, Linksanschlag	Housing cover 6.x, 10.x, gas, left hinged
856145		Gehäusedeckel 20.x, Gas, Rechtsanschlag	Housing cover 20.x, gas, right hinged
866516		Halter für Transformator	mounting plate for transformer
866521		Halter für Transformator	mounting plate for transformer
866536		Halter für Transformator	mounting plate for transformer
866789		Halter für Belüftermagnet	holder for lift magnet
885454		Schutzkasten für Pumpe	protection box for pump
885459		Schutzkasten für Pumpe	protection box for pump
885790		Schutzkasten für Elektronik 20.x	protection box for electronic 20.x
935545		Wasserzulaufrohr für Gascombidämpfer 10.x	water supply pipe for gas combisteamer 10.x
935550		Wasserzulaufrohr für Gascombidämpfer 6.x	water supply pipe for gas combisteamer 6.x
945581		Siphon- Unterteil 20.x	bottom plate for trap 20.x
945586		Siphon 20.x (mit Reinigungssystem)	trap 20.x (for units with cleaning system)
945596		Siphon 6.x & 10.x (mit Reinigungssystem)	trap 6.x & 10.x (for units with cleaning system)
945606		Siphon- Unterteil 6.x 10.x	bottom plate for trap 6.x 10.x
890155		Luftleitblech HansDampf 6.23	Air baffle 6.23
890206		Luftleitblech HansDampf 6.1 Elektro	Air baffle 6.1 electric
890211		Luftleitblech HansDampf 6.2 Elektro	Air baffle 6.2 electric
890216		Luftleitblech HansDampf 10.1 Elektro	Air baffle 10.1 electric
890221		Luftleitblech HansDampf 10.2 Elektro	Air baffle 10.2 electric
890226		Luftleitblech HansDampf 20.1 Elektro	Air baffle 20.1 electric
890231		Luftleitblech HansDampf 20.2 Elektro	Air baffle 20.2 electric
890241		Luftleitblech HansDampf 10.2 Gas	Air baffle 10.2 gas
890246		Luftleitblech HansDampf 10.1 Gas	Air baffle 10.1 gas
890251		Luftleitblech HansDampf 20.1 Gas	Air baffle 20.1 gas
890256		Luftleitblech HansDampf 20.2 Gas	Air baffle 20.2 gas
960426		Türscharnier 6.x, rechts unten	door hinge 6.x, downstairs right
960431		Türscharnier 6.x, links unten	door hinge 6.x downstairs left
960456		Türscharnier 6.x, links oben	door hinge 6.x upstairs left

## Ersatzteilliste / Spare part list HansDampf Silver 2

No.	Ersetzt durch replaced by	Bezeichnung	Description
960461		Türscharnier 6.x, rechts oben	door hinge 6.x upstairs right
960516		Türscharnier 20.x, links oben	door hinge 20.x upstairs left
960521		Türscharnier 20.x, rechts oben	door hinge 20.x upstairs right
960532	960697 & 202663	Garraumtür 20.x Rechtsanschlag; Isolierverglasung	Chamber door 20.x right hinged, insulated-glass
960537	960712 & 202663	Garraumtür 20.x Linksanschlag; Isolierverglasung	Chamber door 20.x left hinged 20.x, insulated-glass
960627	960692 & 202663	Garraumtür 10.x Rechtsanschlag; Isolierverglasung	Chamber door 10.x right hinged 10.x, insulated-glass
960647	960732 & 202663	Garraumtür 6.x Rechtsanschlag; Isolierverglasung	Chamber door 6.x right hinged 6.x, , insulated-glass
960667	960717 & 202663	Garraumtür 6.x Linksanschlag; Isolierverglasung	Chamber door 6.x left hinged 6.x, insulated-glass
960672	960707 & 202663	Garraumtür 10.x Linksanschlag; Isolierverglasung	Chamber door 10.x left hinged 10.x, insulated-glass
202673		Motor 400V 50/60Hz , Schütz gesteuert	fan motor 400V 50/60 Hz, contactor controlled
202676		Steuerplatine HansDampf Silver II	Control pcb HansDampf Silver II
202689		Steckverbinder 50 polig	connector with 50 pin
202690		Tastaturplatine HansDampf Silver II	Keyboard pcb HansDampf Silver II
202695		Abstandshalter	distance piece
202698		Gas- und Kommunikationsplatine HansDampf Silver II	Gas and communication pcb Silver II
202701		Steckverbinder 20 polig	connector with 20 pin
203257		Schnappdurchführung LD 20,4	snap through-bearing 20,4 mm diameter
203722		Feinsicherung 1,25 A Träge; 20x5 mm	fuse 1,25 A slow, 20 x 5 mm
204156		Sechskantbolzen; M3; 17 mm lang	hexagon head bolt; M3, 17mm long
207186		Taste für Tastaturplatine Silver II	Cap for keyboard pcb Silver II
209175		Knebel HansDampf Silver II	knob for HansDampf Silver II
960692		Garraumtür 10.x Rechtsanschlag, Isolierverglasung, mit Radius	Chamber door 10.x right hinged , insulated-glass, with radius
960697		Garraumtür 20.x Rechtsanschlag, Isolierverglasung, mit Radius	Chamber door 20.x right hinged , insulated-glass, with radius
960702		Garraumtür 6.x Rechtsanschlag, Isolierverglasung, mit Radius	Chamber door 6.x right hinged , insulated-glass, with radius
960707		Garraumtür 10.x Linksanschlag, Isolierverglasung, mit Radius	Chamber door 10.x left hinged , insulated-glass, with radius
211150		Abstandshalter	distance piece
211151		O-Ring 6 x 1 mm	sealing ring 6 x 1 mm
216126		Türrastvorrichtung unten	door extension arm, downstairs
960712		Garraumtür 20.x Linksanschlag, Isolierverglasung, mit Radius	Chamber door 20.x left hinged , insulated-glass, with radius
960717		Garraumtür 6.x Linksanschlag, Isolierverglasung, mit Radius	Chamber door 6.x left hinged, insulated-glass, with radius
216305		Ablaufrohr HansDampf 6.x, 10.x Silver II	drain pipe HD 6.x, 10.x Silver II
216306		Ablaufrohr HansDampf 20.x Silver II	drain pipe HD 20.x Silver II
960732		Garraumtür 6.x Rechtsanschlag, Einfachverglasung, mit Radius	Chamber door 6.x right hinged , single-glass, with radius
960737		Garraumtür 10.x Rechtsanschlag, Einfachverglasung, mit Radius	Chamber door 10.x right hinged , single-glass, with radius
975905		Combidämpfer Seitenwand 20.x Elektro	Combisteamer side wall 20.x electric
203683		RC-Kombination 220NF 220Ohm 250V	RC-combination 220NF 220Ohm 250V
203695		RC-Kombination 88NF 100Ohm 275V	RC-combination 88NF 100Ohm 275V
203698		RC-Kombination 2200NF 220Ohm 240V	RC-combination 2200NF 220Ohm 240V
975965		Combidämpfer Seitenwand 10.x Gas	Combisteamer side wall 10.x gas
975970		Combidämpfer Seitenwand 6.x Gas	Combisteamer side wall 6.x gas
976010		Combidämpfer Seitenwand 6.x Elektro	Combisteamer side wall 6.x electric
976015		Combidämpfer Seitenwand 10.x Elektro	Combisteamer side wall 10.x electric

2008/01/10 SEV/KA







MKN Maschinenfabrik  
Kurt Neubauer GmbH & Co  
Halberstädter Straße  
D-38300 Wolfenbüttel  
Telefon 0 53 31/ 89-0  
Telefax 0 53 31/ 89-280

---